

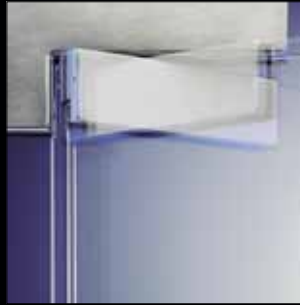
Universal ARCOS EA

Patch Fittings





Product range
4-5



**DORMA
Universal**

6-25



**ARCOS
Universal**

26-33



DORMA EA

34-39



Accessories

40-50

Metric/English
Conversion Guide
51



DORMA Patch fittings for tempered glass assemblies

| Applications and features | DORMA Universal | ARCOS Universal | DORMA EA | Accessories |
|---|--|--|-------------------------------|-------------|
| For external assemblies | +++ | +++ | +++ | |
| For internal assemblies | +++ | +++ | +++ | |
| For standard tempered glass assembly types | +++ | +++ | +++ | |
| For individually designed assemblies with corner fittings, fin fittings, etc. | +++ | + | + | +++ |
| For double-action doors | ● | ● | | |
| For single-action doors | ● | ● | ● | |
| Glass thickness (in) | 3/8" (10 mm), 1/2" (12 mm) ¹ | 3/8" (10 mm), 1/2" (12 mm) ¹ | 3/8" (10 mm), 1/2" (12 mm) | |
| Max. door weight (lb) | 275 lb (125 kg) | 220 lb (100 kg) | 220 lb (100 kg) | |
| Max. door width (in) | 48" (1219 mm) | 43" (1100 mm) | 43" (1100 mm) | |
| Materials and finishes | | | | |
| Aluminum, mill finish (100) | | | | |
| Aluminum, silver anodized, EV1, CO (101) | ■ | | ■ | |
| Aluminum, dark bronze anodized DB14, MC1003, C34 (108) | ■ | | ■ | |
| Aluminum, EV1 deco (114) | | ■ | | |
| Bespoke color anodizing (199) | ■ | | ■ | |
| Aluminum, white powder coated, similar to RAL 9016 (300) | ■ ² | ■ ² | ■ ² | |
| Bespoke powder coating (399) | ■ ² | | ■ ² | |
| Brass, Polished (503) | ■ | ■ ² | ■ | |
| Brass, satin chrome plated (500) | ■ | | ■ | |
| Stainless steel, satin (700) | ■ | ■ | | |
| Stainless steel, Polish (701) | ■ | ■ | | |
| Page | 6 | 26 | 34 | 40 |

+++ Particularly suitable

++ Suitable

+ Partially suitable

● Standard

■ Optional

1 Under certain circumstances, also 5/8" and 3/4" glass thickness

2 Available upon request

DORMA Glas offers one of the most comprehensive ranges of patch fittings available today, providing tempered glass assemblies that are technically sound and visually attractive. This range gives the architect or designer a wide variety of creative options for expression with tempered glass—either internally or externally.

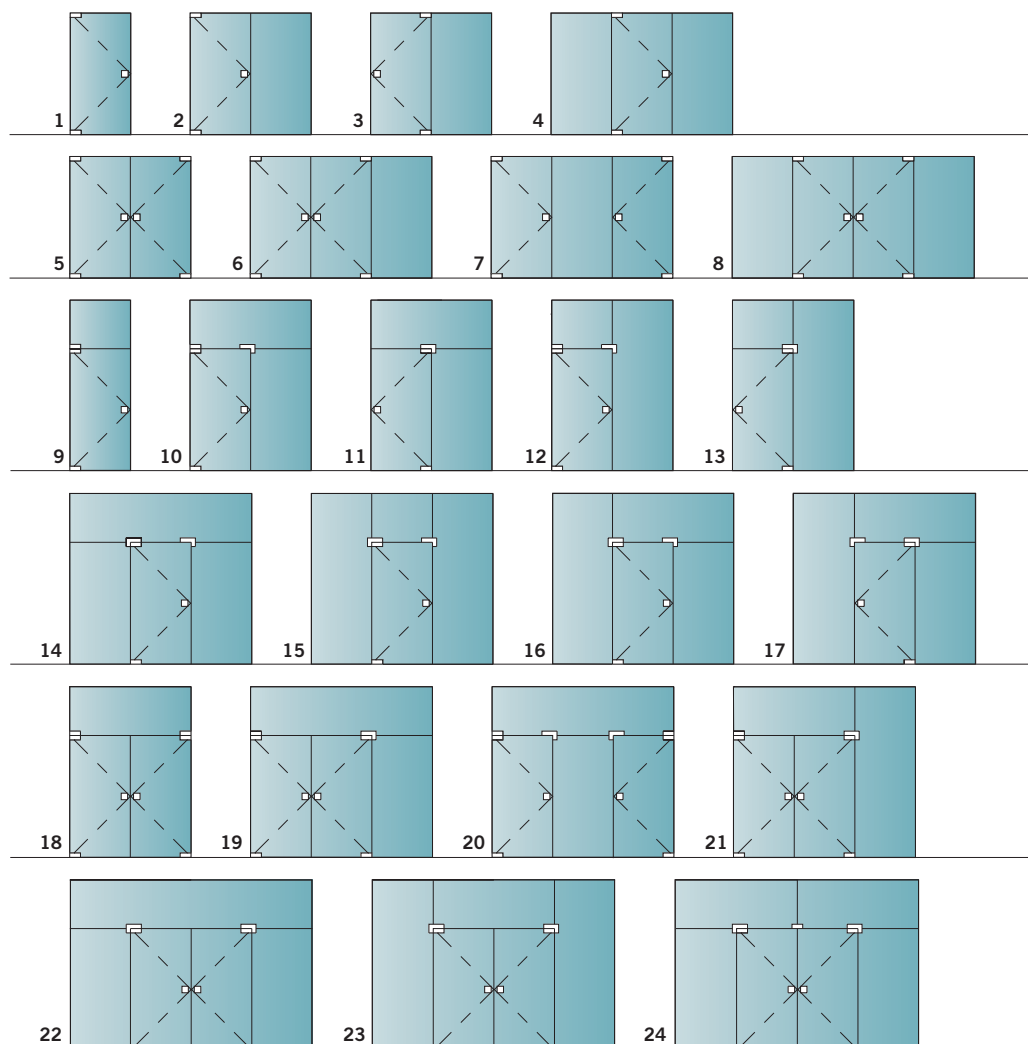
All DORMA fittings are based on a modular system, consisting of a base unit, functional inserts, and clip-on covers in a wide range of finishes. Glass preparations are quick and easy. Quality materials and thorough workmanship guarantee a long service life and a reflection of excellence for years to come.

General care instructions

The surface finishes of the fittings are not maintenance-free and should be cleaned according to their material and design.

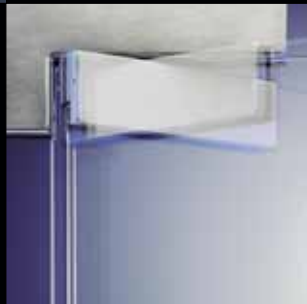
- For metallic surfaces (anodized finishes, stainless steel), please use only appropriate cleaning agents without abrasive additives.

- For varnished surfaces, please use only appropriate solvent-free cleaning agents.
- Brass surfaces (without surface protection) have to be treated occasionally with an appropriate maintenance agent to avoid tarnishing.





**DORMA
Universal**



Contents

| | |
|---|----|
| General information, maximum measurements | 7 |
| DORMA Universal Patch fittings | 9 |
| DORMA Universal Connectors | 10 |
| DORMA Universal Patch fittings for arched doors | 16 |
| DORMA Universal Glass preparation details | 17 |
| DORMA Universal Construction details | 25 |
| Accessories | 40 |
| Metric/English conversion guide | 51 |

DORMA Universal ... as the name says

With their broad range of options and configurations, DORMA Universal patch fittings are ideal for almost any design. Tempered glass assemblies are provided with fixed parts in a variety of arrangements—with corner fittings or fin fittings at different angles, and with double or single-action doors in single-leaf or double-leaf designs.

Easy glass preparation, secure fixing

DORMA Glas understands the special properties of glass as a building material, designing fittings that require only minimal glass preparation—a quick and easy cut-out with additional holes. Careful consideration and positive measures have been taken to

create the maximum clamping surface with optimum clamping efficiency.

Suitable for common glass thicknesses

DORMA Universal fittings are available for 3/8" (10 mm) and 1/2" (12 mm) glass thicknesses. Some fittings even accommodate 5/8" (15 mm) and 3/4" (19 mm) inch glass.

Reliability built in

Quality materials and thorough workmanship mean that DORMA Universal fittings have the features necessary to meet the most demanding specifications. The fittings are designed to withstand large and heavy doors up to a maximum weight of 275 lb (125 kg). Rails are available

for heavier doors (330 lb [150 kg] maximum), wider doors (48" [1219 mm] maximum), and high traffic doors.

Matching range of locks

The DORMA Universal range includes every type of accessory, and of course, a variety of locks and strike boxes in a matching design concept, giving the designer plenty of options to choose from. Contact Customer Service for more details.

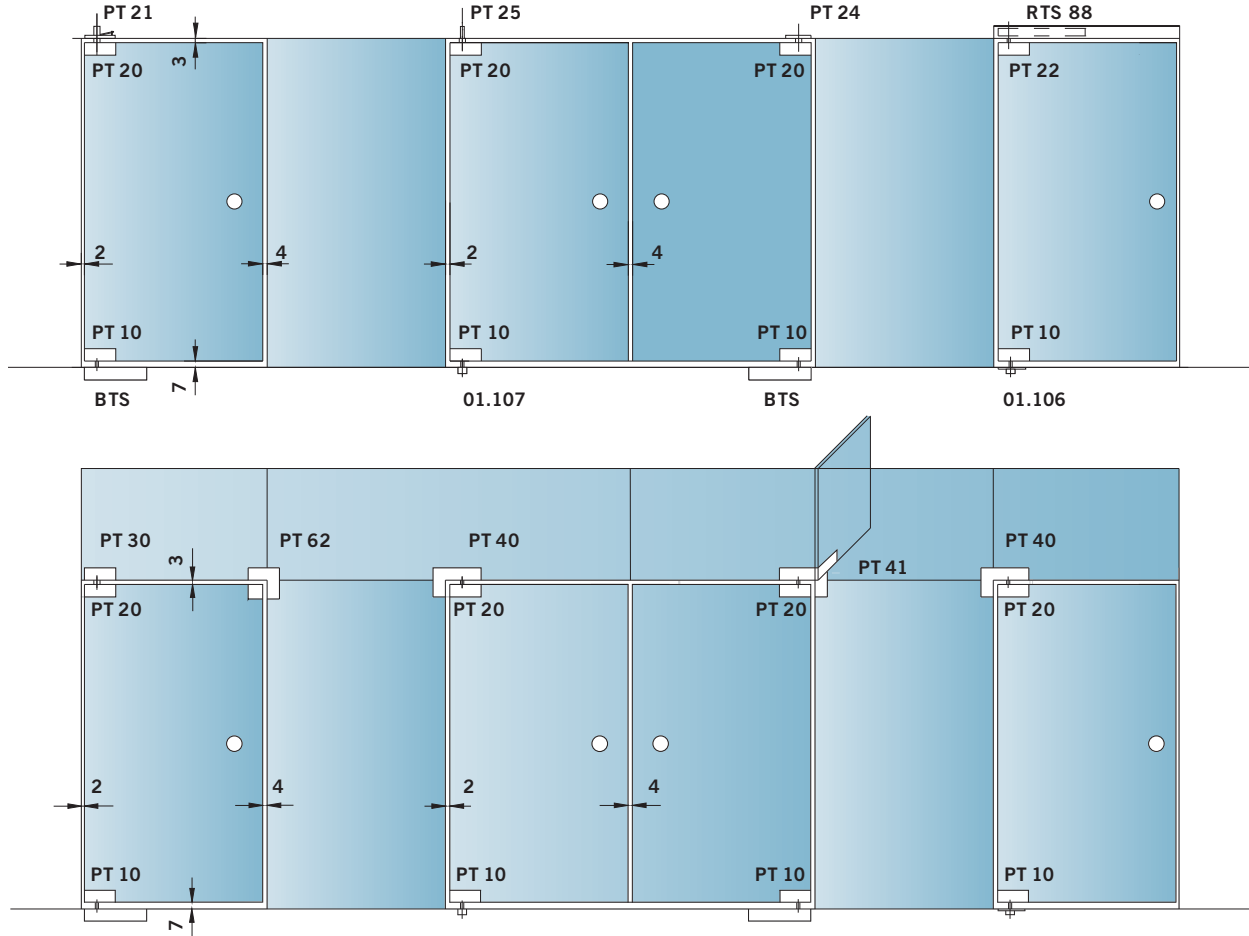
Short delivery times

All typical patterns and types are available from factory stock. Special orders will be prepared promptly.



Type selection

Tempered glass assemblies with fittings (2-3/4") pivot point. All standard assembly types see page 5.



BTS = Floor spring
 PT = Center hung door fittings
 RTS = Transom closer
 (see Technical Information DORMA RTS Series for details)

Maximum door weight and width for DORMA Universal fittings

Max. door weight:
 275 lb (125 kg)

Max. door width:
 48" (1219 mm)

For door weights up to 330 lb (150 kg) and widths up to 48" (1219 mm), DRS door rails should be used.

Torque for fixing screws

Screws M 6:
 7.5 lb-ft / 10 Nm (4 mm)*

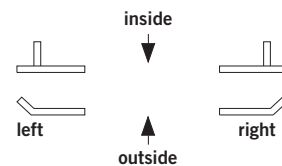
Screws M 6:
 11 lb-ft / 15 Nm (5 mm)*

Screws M 8:
 15 lb-ft / 20 Nm (5 mm)*

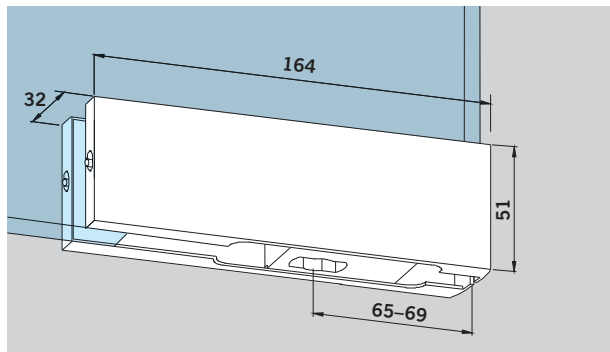
*Allan key size

Please note: If angle fittings or fin fittings are used:

"Left" or "Right" has to be determined in any case by view from outside and above.



Patch fittings

**PT 10 bottom patch**

with insert for DORMA floor
closer, pivot, or round pivot
14 mm Ø

- 3/8" (10 mm) glass

Art. No. 833.300

- 1/2" (12 mm) glass

Art. No. 833.100

- 5/8" (15 mm) glass

Art. No. 833.301

- 3/4" (19 mm) glass

Art. No. 833.101

Pivot location:

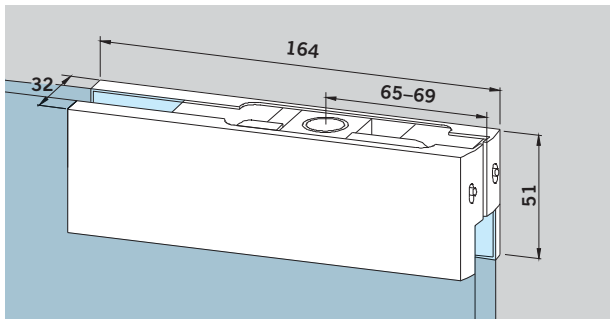
2-3/4" (70 mm)

Weight in lb (kg):

Aluminum 1.241 (0.564)

Brass 1.496 (0.680)

Stainless steel
1.456 (0.662)

**PT 20 top patch**

with safety insert for top
pivot 15 mm Ø

- 3/8" (10 mm) glass

Art. No. 833.310

- 1/2" (12 mm) glass

Art. No. 833.110

- 5/8" (15 mm) glass

Art. No. 833.311

- 3/4" (19 mm) glass

Art. No. 833.111

Pivot location:

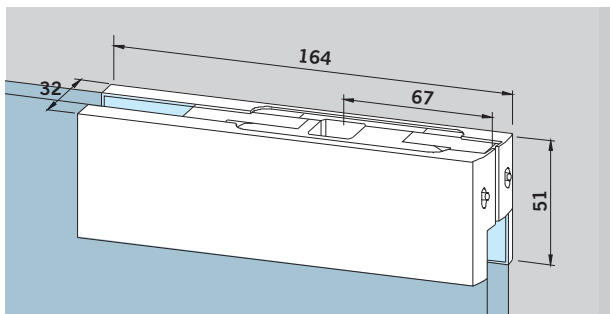
2-3/4" (70 mm)

Weight in lb (kg):

Aluminum 1.049 (0.477)

Brass 1.305 (0.593)

Stainless steel
1.265 (0.575)

**PT 22 top patch**

with insert for DORMA RTS
concealed overhead closer

- 3/8" (10 mm) glass

Art. No. 833.312

- 1/2" (12 mm) glass

Art. No. 833.112

- 5/8" (15 mm) glass

Art. No. 833.313

- 3/4" (19 mm) glass

Art. No. 833.113

Pivot location:

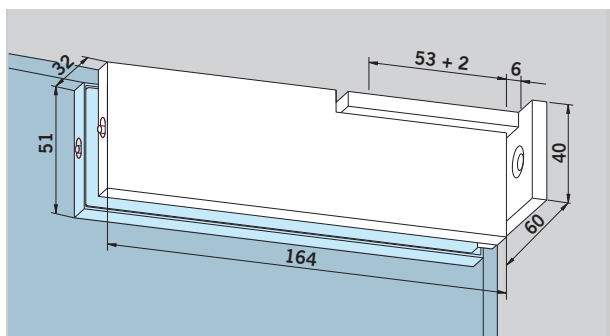
2-3/4" (70 mm)

Weight in lb (kg):

Aluminum 1.272 (0.578)

Brass 1.529 (0.695)

Stainless steel
1.489 (0.677)

**PT 29 top patch**

with pivot fixing plate,
wall mount

- 3/8" (10 mm) glass:

Art. No. 833.314

- 1/2" (12 mm) glass:

Art. No. 833.109

- 5/8" (15 mm) glass:

Art. No. n/a

- 3/4" (19 mm) glass:

Art. No. n/a

Pivot location:

2-3/16" (55 mm)

Weight in lb (kg):

Aluminum 1.197 (0.544)

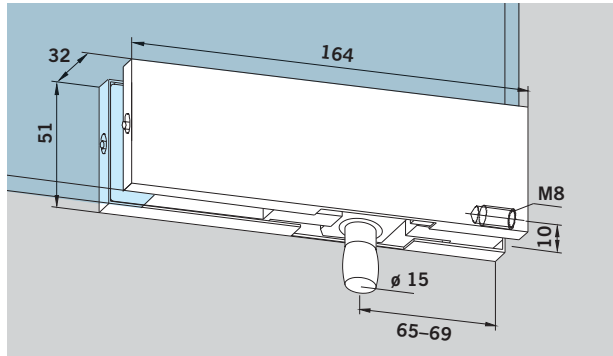
Brass 1.522 (0.692)

Stainless steel
1.483 (0.674)

Max. door width:
39" (1000 mm)

Max. door weight:
155 lb (70 kg)

NOTE: Various weights and measures in metric units. Refer to page 51 for Metric/English conversion guide.

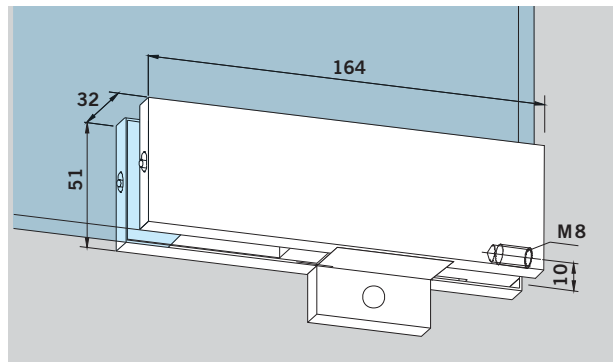


PT 30 transom patch
with pivot 15 mm Ø, with
M8 tapped hole at side

- 3/8" (10 mm) glass
Art. No. 833.330
- 1/2" (12 mm) glass
Art. No. 833.131
- 5/8" (15 mm) glass
Art. No. 833.321
- 3/4" (19 mm) glass
Art. No. 833.121

Pivot location:
2-3/4" (70 mm)

Weight in lb (kg):
Aluminum 1.162 (0.528)
Brass 1.439 (0.654)
Stainless steel
1.399 (0.636)

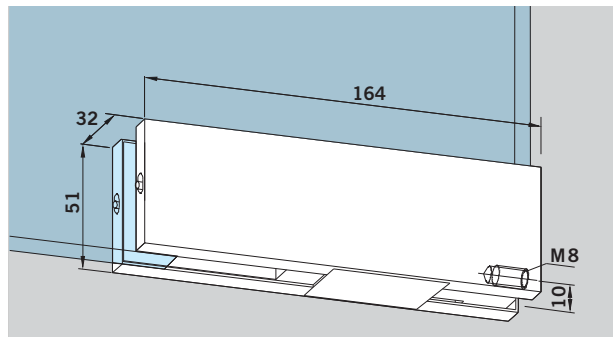


PT 30 transom patch
with stop insert, with M8
tapped hole at side

- 3/8" (10 mm) glass
Art. No. 833.332
- 1/2" (12 mm) glass
Art. No. 833.132
- 5/8" (15 mm) glass
Art. No. 833.333
- 3/4" (19 mm) glass
Art. No. 833.133

Pivot location:
2-3/4" (70 mm)

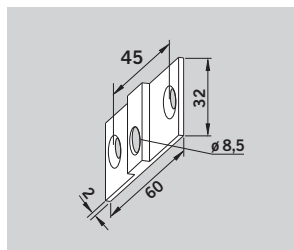
Weight in lb (kg):
Aluminum 1.162 (0.528)
Brass 1.439 (0.654)
Stainless steel
1.276 (0.580)



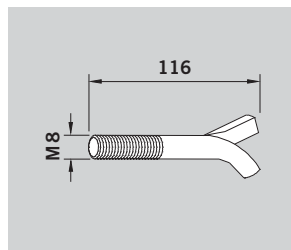
PT 30 transom patch
with blank insert, with M8
tapped hole at side

- 3/8" (10 mm) glass
Art. No. 833.334
- 1/2" (12 mm) glass
Art. No. 833.134
- 5/8" (15 mm) glass
Art. No. 833.335
- 3/4" (19 mm) glass
Art. No. 833.135

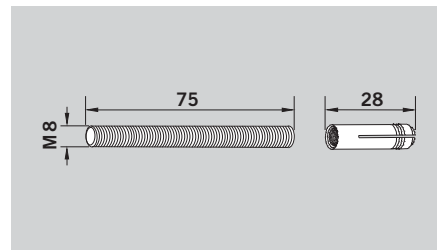
Weight in lb (kg):
Aluminum 1.142 (0.519)
Brass 1.419 (0.645)
Stainless steel
1.256 (0.571)



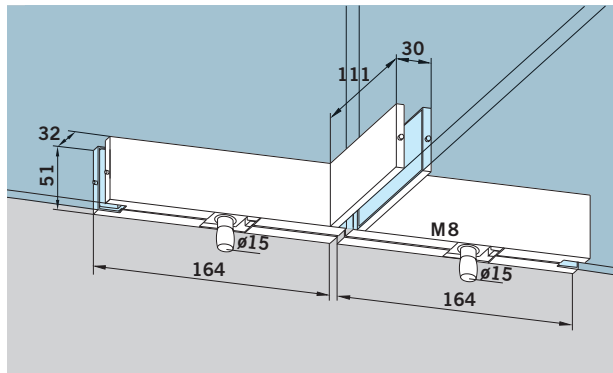
Fixing plate for overpanel
patch PT 30
Art. No. 803.128
Weight in lb (kg):
Aluminum 0.035 (0.016)
Brass 0.084 (0.038)
Stainless Steel not available,
Satin Chrome on Brass supplied.



Wall anchor with thread M 8
for overpanel patch PT 30
Art. No. 801.133
Weight in lb (kg):
0.088 (0.040)



Threaded rod M 8 with plug
for overpanel patch PT 30
Art. No. 801.134
Weight in lb (kg):
0.070 (0.032)

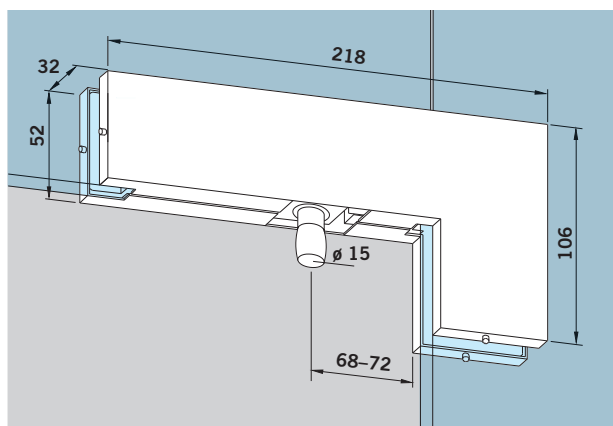


PT 51 transom patch with fin inside for back to back doors with two pivots 15 mm Ø

- 3/8" (10 mm) glass
Art. No. 833.368
- 1/2" (12 mm) glass
Art. No. 833.168
- 5/8" (15 mm) glass
Art. No. 833.369
- 3/4" (19 mm) glass
Art. No. 833.169

**Pivot location:
2-3/4" (70 mm)**

| Weight in lb (kg): | |
|--------------------|---------------|
| Aluminum | 2.858 (1.299) |
| Brass | 3.546 (1.612) |
| Stainless steel | 3.467 (1.576) |

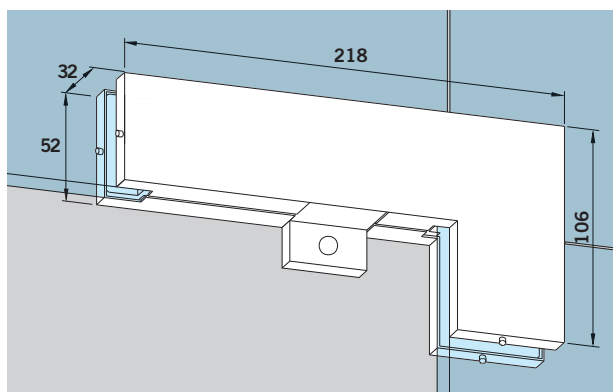


PT 40 transom sidelite patch with pivot 15 mm Ø

- 3/8" (10 mm) glass
Art. No. 833.343
- 1/2" (12 mm) glass
Art. No. 833.143
- 5/8" (15 mm) glass
Art. No. 833.344
- 3/4" (19 mm) glass
Art. No. 833.144

**Pivot location:
2-3/4" (70 mm)**

| Weight in lb (kg): | |
|--------------------|---------------|
| Aluminum | 2.955 (0.755) |
| Brass | 2.108 (0.958) |
| Stainless steel | 2.061 (0.937) |

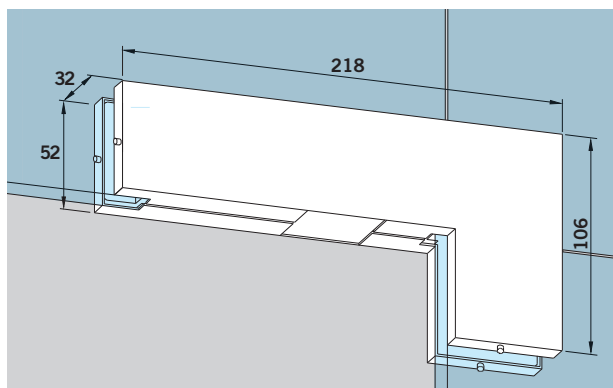


PT 40 transom sidelite patch with stop insert

- 3/8" (10 mm) glass
Art. No. 833.336
- 1/2" (12 mm) glass
Art. No. 833.136
- 5/8" (15 mm) glass
Art. No. 833.337
- 3/4" (19 mm) glass
Art. No. 833.137

Weight in lb (kg):

| | |
|-----------------|---------------|
| Aluminum | 1.661 (0.755) |
| Brass | 2.108 (0.958) |
| Stainless steel | 2.061 (0.937) |



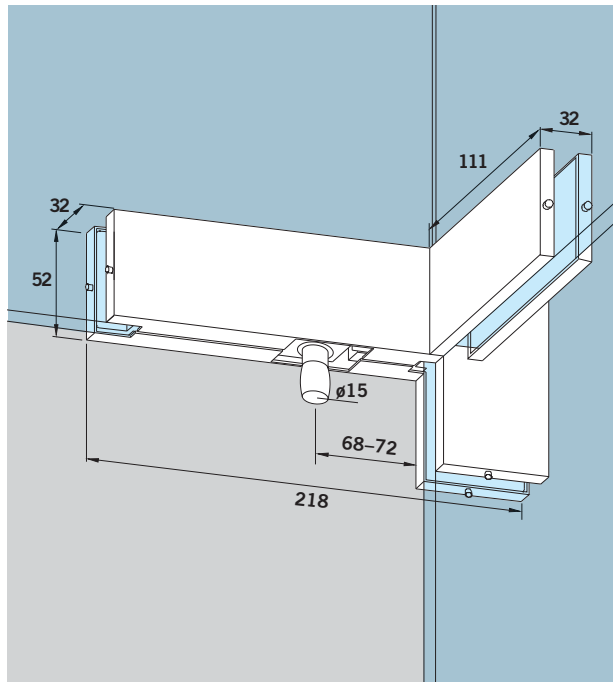
PT 40 transom sidelite patch with blank insert

- 3/8" (10 mm) glass
Art. No. 833.338
- 1/2" (12 mm) glass
Art. No. 833.138
- 5/8" (15 mm) glass
Art. No. 833.339
- 3/4" (19 mm) glass
Art. No. 833.139

Weight in lb (kg):

| | |
|-----------------|---------------|
| Aluminum | 1.641 (0.746) |
| Brass | 2.088 (0.949) |
| Stainless steel | 2.042 (0.928) |

NOTE: Various weights and measures in metric units. Refer to page 51 for Metric/English conversion guide.

**PT 41 transom sidelite patch with fin fitting inside**

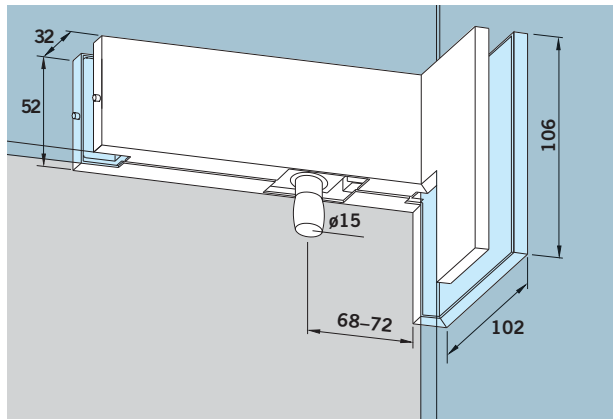
with pivot 15 mm Ø (shown)

- 3/8" (10 mm) glass:
Art. No. *833.355/833.354
- 1/2" (12 mm) glass:
Art. No. *833.155/833.154
- 5/8" (15 mm) glass:
Art. No. *833.356/833.357
- 3/4" (19 mm) glass:
Art. No. *833.156/833.157

**Pivot location:
2-3/4" (70 mm)**

Weight in lb (kg):

| | |
|-----------------|---------------|
| Aluminum | 2.094 (0.952) |
| Brass | 2.708 (1.231) |
| Stainless steel | 2.633 (1.197) |

**PT 42 transom sidelite patch with angled connector inside,**
pivot 15 mm Ø, angle 90° (shown)

- 3/8" (10 mm) glass:
Art. No. *833.364/833.365
- 1/2" (12 mm) glass:
Art. No. *833.164/833.165
- 5/8" (15 mm) glass:
Art. No. *833.384/833.385
- 3/4" (19 mm) glass:
Art. No. *833.184/833.185

**Pivot location:
2-3/4" (70 mm)****PT 41 transom sidelite patch with fin fitting inside**

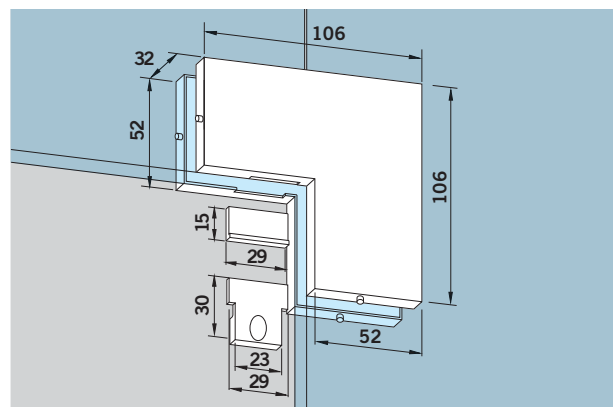
with stop insert (not shown)

- 3/8" (10 mm) glass:
Art. No. *833.391/833.393
- 1/2" (12 mm) glass:
Art. No. *833.191/833.193
- 5/8" (15 mm) glass:
Art. No. *833.392/833.394
- 3/4" (19 mm) glass:
Art. No. *833.192/833.194

PT 41 transom sidelite patch with fin fitting inside

with blank insert (not shown)

- 3/8" (10 mm) glass:
Art. No. *833.395/833.397
- 1/2" (12 mm) glass:
Art. No. *833.195/833.197
- 5/8" (15 mm) glass:
Art. No. *833.396/833.398
- 3/4" (19 mm) glass:
Art. No. *833.196/833.198

**PT 60/61 transom sidelite connector**

for double or single acting doors, includes 1 stop and 2 blank inserts

- 3/8" (10 mm) glass:
Art. No. 803.150
- 1/2" (12 mm) glass:
Art. No. 803.150
- 5/8" (15 mm) glass:
Art. No. 803.452
specify glass thickness
- 3/4" (19 mm) glass:
Art. No. 803.452
specify glass thickness

PT 42 transom sidelite patch with angled connector inside,
pivot 15 mm Ø, angle 135° (not shown)

- 3/8" (10 mm) glass:
Art. No. *833.366/833.367
- 1/2" (12 mm) glass:
Art. No. *833.166/833.167
- 5/8" (15 mm) glass:
Art. No. *833.386/833.387
- 3/4" (19 mm) glass:
Art. No. *833.186/833.187

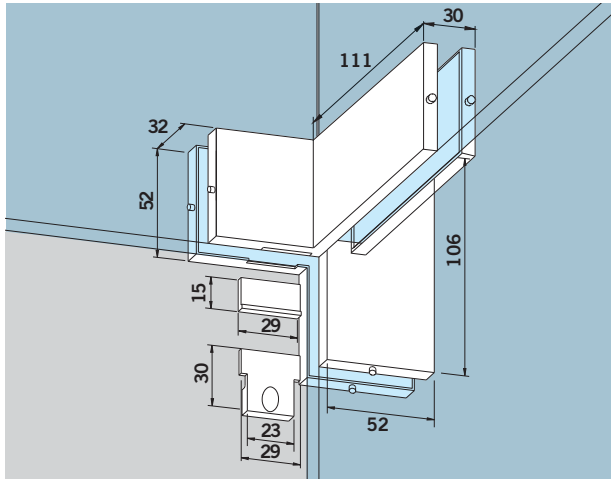
Weight in lb (kg):

| | |
|-----------------|---------------|
| Aluminum | 1.940 (0.882) |
| Brass | 2.438 (1.108) |
| Stainless steel | 3.259 (1.059) |

Weight in lb (kg):

| | |
|-----------------|---------------|
| Aluminum | 0.755 (0.343) |
| Brass | 1.014 (0.461) |
| Stainless steel | 0.959 (0.436) |

* Left hand fin (illustration shows left hand) / Right hand fin
Left or right hand is determined by view from outside.



PT 60/61 transom sidelite connector with fin fitting inside

for double or single acting doors, includes 1 stop and 2 blank inserts

- 3/8" (10 mm) glass:
Art. No. 803.158/803.157

- 1/2" (12 mm) glass:
Art. No. 803.158/803.157

- 5/8" (15 mm) glass:
Art. No. n/a

- 3/4" (19 mm) glass:
Art. No. n/a

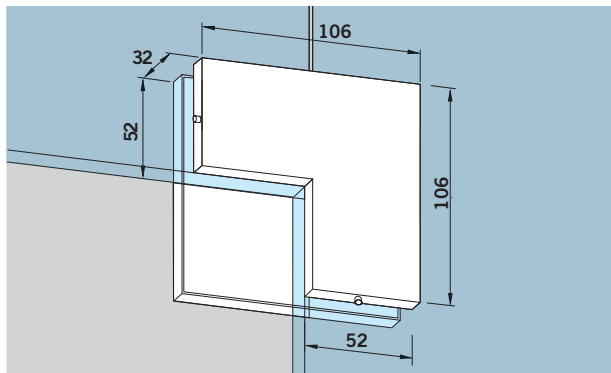
Weight in lb (kg):

Aluminum 0.986 (0.448)

Brass 1.415 (0.643)

Stainless steel
1.320 (0.600)

Left hand fin (illustration shows left hand) / Right hand fin. Left or right hand is determined by view from outside.



PT 62 transom sidelite connector with fixed stop

- 3/8" (10 mm) glass:
Art. No. 803.173

- 1/2" (12 mm) glass:
Art. No. 803.173

- 5/8" (15 mm) glass:
Art. No. n/a

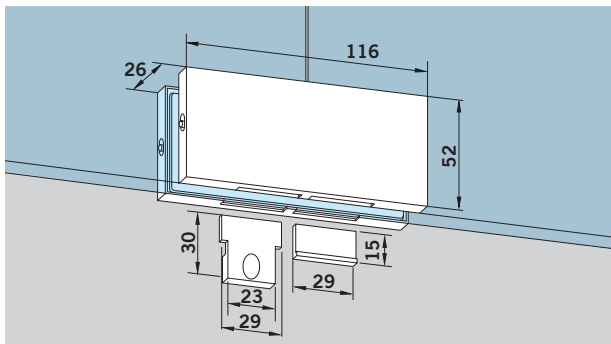
- 3/4" (19 mm) glass:
Art. No. n/a

Weight in lb (kg):

Aluminum 1.045 (0.475)

Brass 1.507 (0.685)

Stainless steel
1.474 (0.670)



PT 70 transom connector

includes 2 stop and 2 blank inserts

- 3/8" (10 mm) glass:
Art. No. 801.150

- 1/2" (12 mm) glass:
Art. No. 801.150

- 5/8" (15 mm) glass:
Art. No. 801.158
specify glass thickness

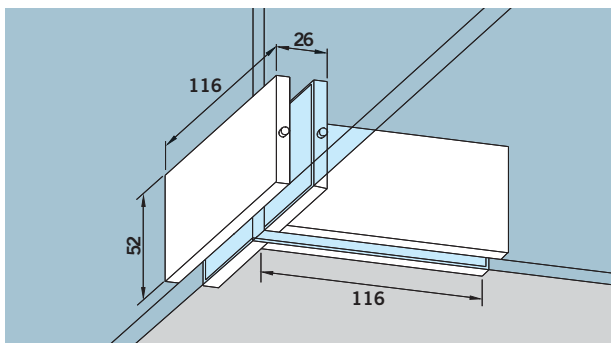
- 3/4" (19 mm) glass:
Art. No. 803.158
specify glass thickness

Weight in lb (kg):

Aluminum 0.598 (0.272)

Brass 0.766 (0.348)

Stainless steel
0.737 (0.335)



PT 71 transom connector with fin fitting

- 3/8" (10 mm) glass:
Art. No. 801.161

- 1/2" (12 mm) glass:
Art. No. 801.161

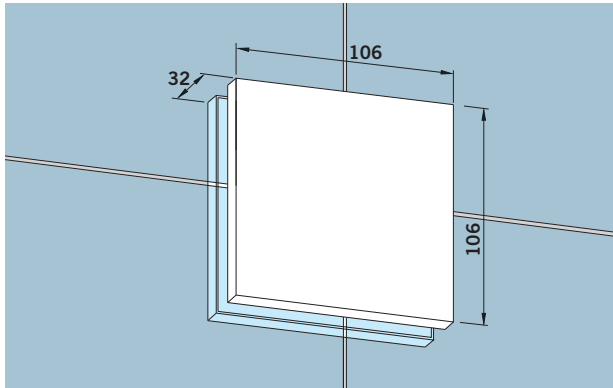
Weight in lb (kg):

Aluminum 1.008 (0.458)

Brass 1.375 (0.625)

Stainless steel
1.338 (0.608)

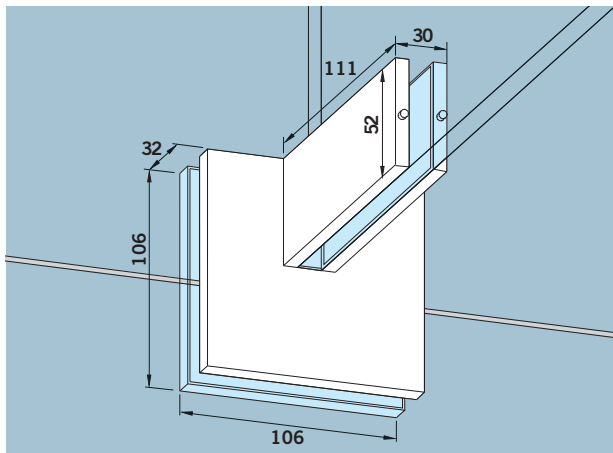
NOTE: Various weights and measures in metric units. Refer to page 51 for Metric/English conversion guide.

**PT 80 connector**

- 3/8" (10 mm) glass:
Art. No. 803.170
- 1/2" (12 mm) glass:
Art. No. 803.170
- 5/8" (15 mm) glass:
Art. No. 803.472
specify glass thickness
- 3/4" (19 mm) glass:
Art. No. 803.472
specify glass thickness

Weight in lb (kg):

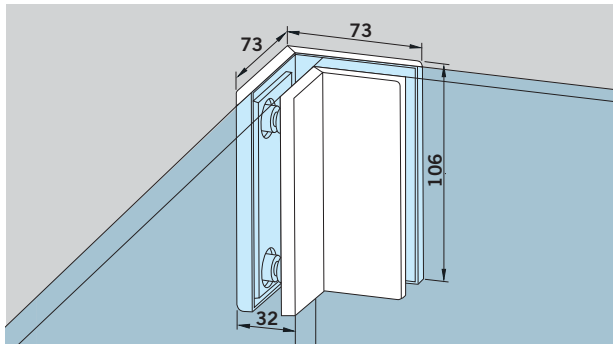
| | |
|-----------------|---------------|
| Aluminum | 1.221 (0.555) |
| Brass | 1.760 (0.800) |
| Stainless steel | 1.716 (0.780) |

**PT 81 connector**

- with fin fitting
- 3/8" (10 mm) glass:
Art. No. 803.175
- 1/2" (12 mm) glass:
Art. No. 803.175

Weight in lb (kg):

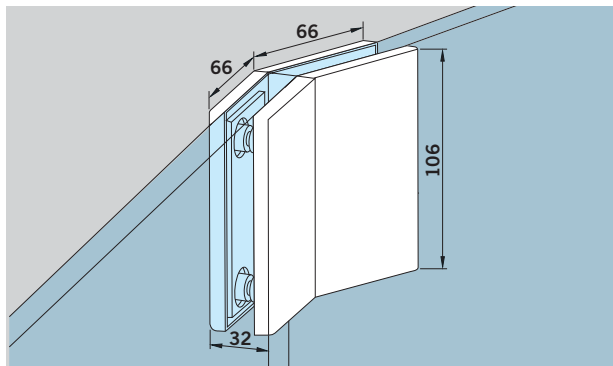
| | |
|-----------------|---------------|
| Aluminum | 1.725 (0.784) |
| Brass | 2.372 (1.078) |
| Stainless steel | 2.343 (1.065) |

**PT 80 connector**

- angled 90°
- 3/8" (10 mm) glass:
Art. No. 803.171
- 1/2" (12 mm) glass:
Art. No. 803.171

Weight in lb (kg):

| | |
|-----------------|---------------|
| Aluminum | 1.027 (0.467) |
| Brass | 1.232 (0.560) |
| Stainless steel | 1.188 (0.540) |

**PT 80 connector**

- angled 135°
- 3/8" (10 mm) glass:
Art. No. 803.172
- 1/2" (12 mm) glass:
Art. No. 803.172

Weight in lb (kg):

| | |
|-----------------|---------------|
| Aluminum | 1.038 (0.472) |
| Brass | 1.232 (0.560) |
| Stainless steel | 1.190 (0.541) |

PT 80 connector

angled 91°– 134° and
angled 136°– 179°
(specify angle when ordering)
(not shown)

- 3/8" (10 mm) glass:

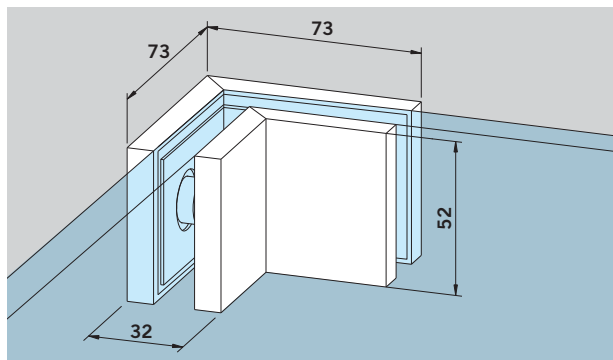
Art. No. 803.178

- 1/2" (12 mm) glass:

Art. No. 803.178

Weight in lb (kg):

| | |
|-----------------|---------------|
| Aluminum | 1.038 (0.472) |
| Brass | 1.232 (0.560) |
| Stainless steel | 1.190 (0.541) |



PT 80 connector,
shortened, angle 90°

- 3/8" (10 mm) glass:

Art. No. 803.470

- 1/2" (12 mm) glass:

Art. No. 803.470

Weight in lb (kg):

Aluminum 0.519 (0.236)

Brass 0.616 (0.280)

Stainless steel

0.594 (0.270)

PT 80 connector,
angle 91°–134°/136°–179°
(specify angle with ordering)
(not shown)

- 3/8" (10 mm) glass:

Art. No. 803.179

- 1/2" (12 mm) glass:

Art. No. 803.179

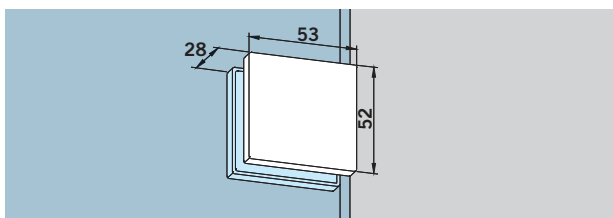
Weight in lb (kg):

Aluminum 0.519 (0.236)

Brass 0.616 (0.280)

Stainless steel

0.594 (0.270)



PT 90 screw on fitting

- 3/8" (10 mm) glass:

Art. No. 807.021

- 1/2" (12 mm) glass:

Art. No. 807.021

- 5/8" (15 mm) glass:

Art. No. 807.210

Specify glass thickness

- 3/4" (19 mm) glass:

Art. No. 807.210

Specify glass thickness

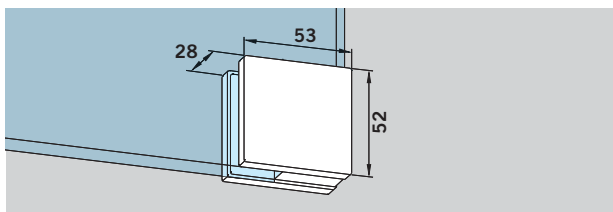
Weight in lb (kg):

Aluminum 0.264 (0.120)

Brass 0.352 (0.160)

Stainless steel

0.341 (0.155)



PT 91 corner fitting

- 3/8" (10 mm) glass:

Art. No. 807.023

- 1/2" (12 mm) glass:

Art. No. 807.023

- 5/8" (15 mm) glass:

Art. No. 807.211

Specify glass thickness

- 3/4" (19 mm) glass:

Art. No. 807.211

Specify glass thickness

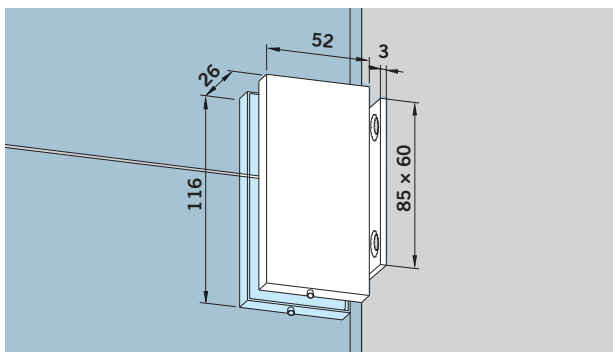
Weight in lb (kg):

Aluminum 0.264 (0.120)

Brass 0.352 (0.160)

Stainless steel

0.341 (0.155)



Side connector

with wall mounting plate

- 3/8" (10 mm) glass:

Art. No. 801.153

- 1/2" (12 mm) glass:

Art. No. 801.153

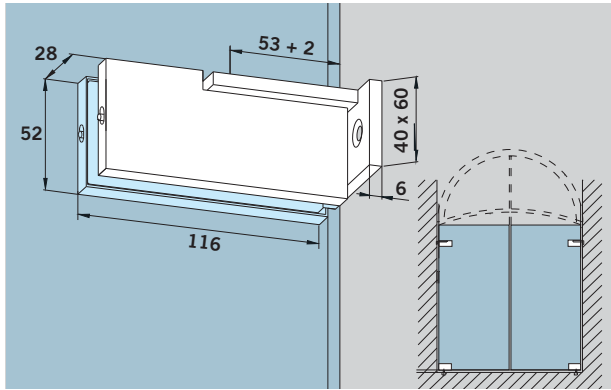
Weight in lb (kg):

Aluminum 0.689 (0.313)

Brass 0.856 (0.389)

Stainless steel

0.827 (0.376)



Center hung patch fitting*

for arched doors,
opening angle max. 90°,
wall fixing, masonry

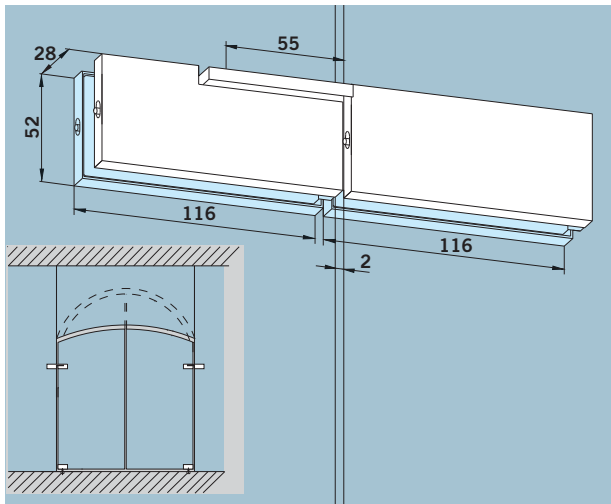
- 3/8" (10 mm) glass:

Art. No. 801.250

Max. door width:
39" (1000 mm)
Max. door weight:
155 lb (70 kg)

Weight in lb (kg):
Aluminum 0.772 (0.351)
Brass 0.942 (0.428)

**Pivot location:
2-3/16" (55 mm)**



Center hung patch fitting*

for arched doors,
opening angle max. 90°,
glass to glass fixing

- 3/8" (10 mm) glass:

Art. No. 801.251

Max. door width:
39" (1000 mm)
Max. door weight:
155 lb (70 kg)

Weight in lb (kg):
Aluminum 1.256 (0.571)
Brass 1.681 (0.764)

**Pivot location:
2-3/16" (55 mm)**

***Notice top door gap
(see below)**



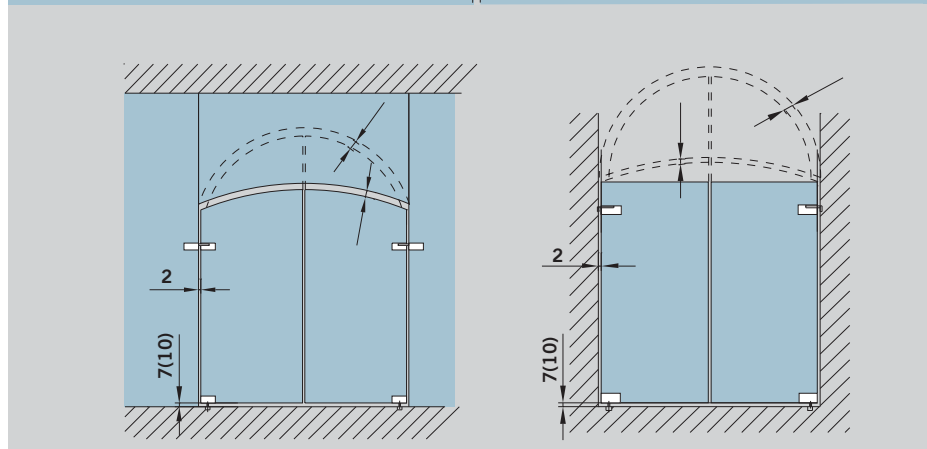
Center hung patch fittings
with 2-3/16" (55 mm) pivot
point for arched doors

Art. No. 801.250, 801.251

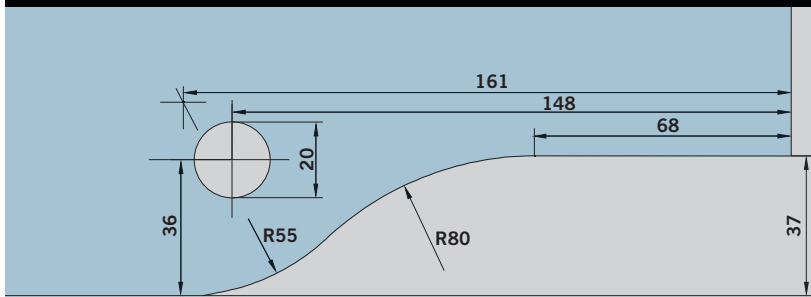
Scale 1 : 2

An additional narrow frame
should be used on double-
acting doors with a clearance
between door and soffit.

The specification of the
necessary clearance above
the door depends on the
radius of the arc and the
soffit depth.



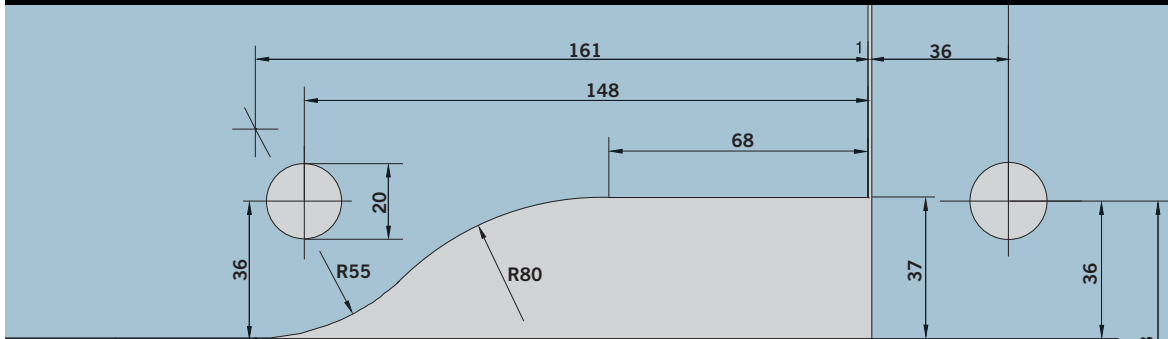
PT 10, PT 20, PT 22, PT 29, PT 30



Top and bottom patches,
overpanel patch
Scale 1 : 2

| | | | | | | | |
|----------|---------|---------|---------|---------|---------|---------|---------|
| Art. No. | 833.300 | 833.310 | 833.312 | 803.114 | 833.330 | 833.332 | 833.334 |
| | 833.100 | 833.110 | 833.112 | 833.109 | 833.131 | 833.132 | 833.134 |
| | 833.301 | 833.311 | 833.313 | | 833.321 | 833.333 | 833.335 |
| | 833.101 | 833.111 | 833.113 | | 833.121 | 833.133 | 833.135 |

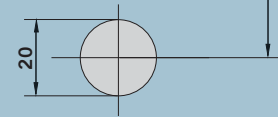
PT 40



Patch for overpanel and sidelite

Scale 1 : 2

| | | | |
|----------|---------|---------|---------|
| Art. No. | 833.343 | 833.333 | 833.335 |
| | 833.143 | 833.133 | 833.135 |
| | 833.344 | 833.334 | 833.336 |
| | 833.144 | 833.134 | 833.136 |



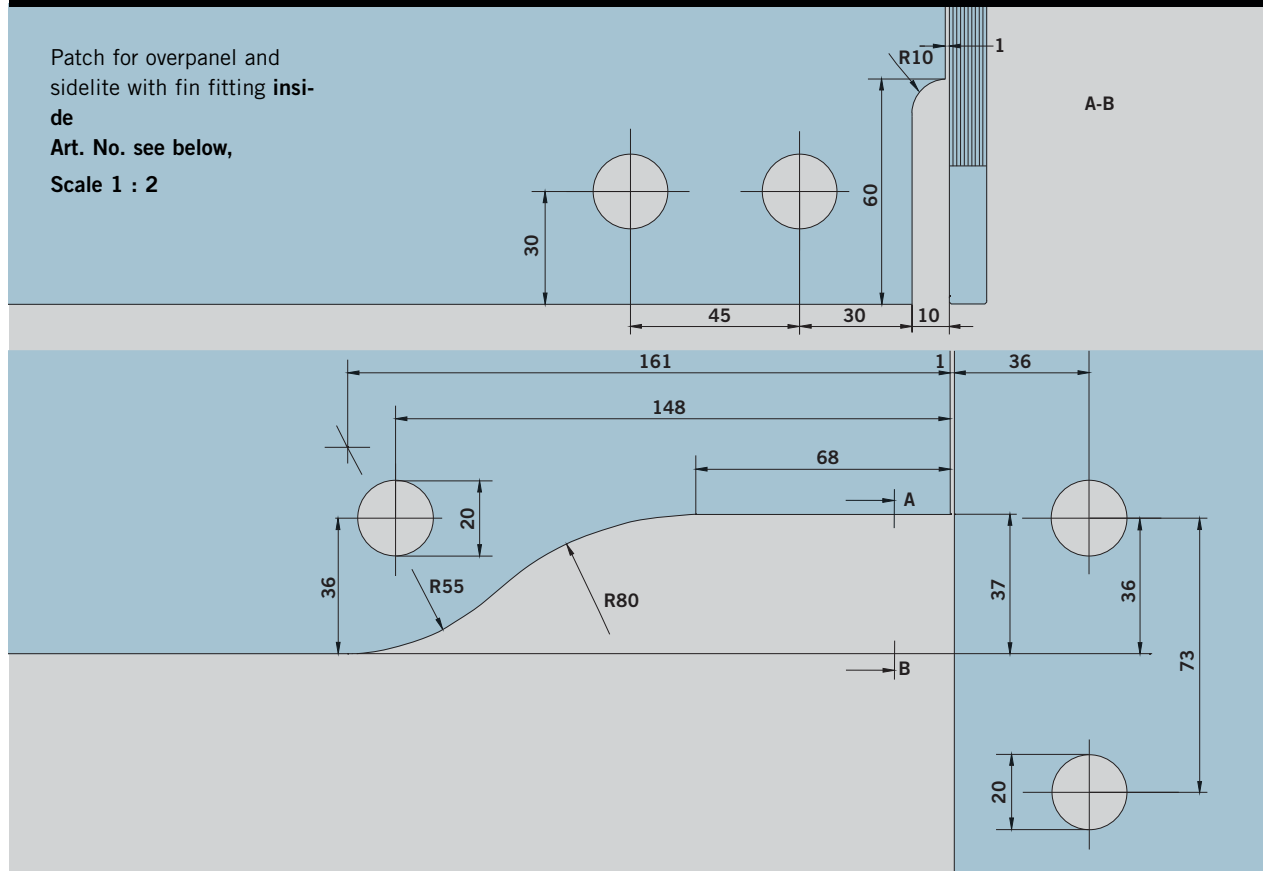
NOTE: Various weights and measures in metric units. Refer to page 51 for Metric/English conversion guide.

PT 41

Patch for overpanel and
sidelite with fin fitting **inside**

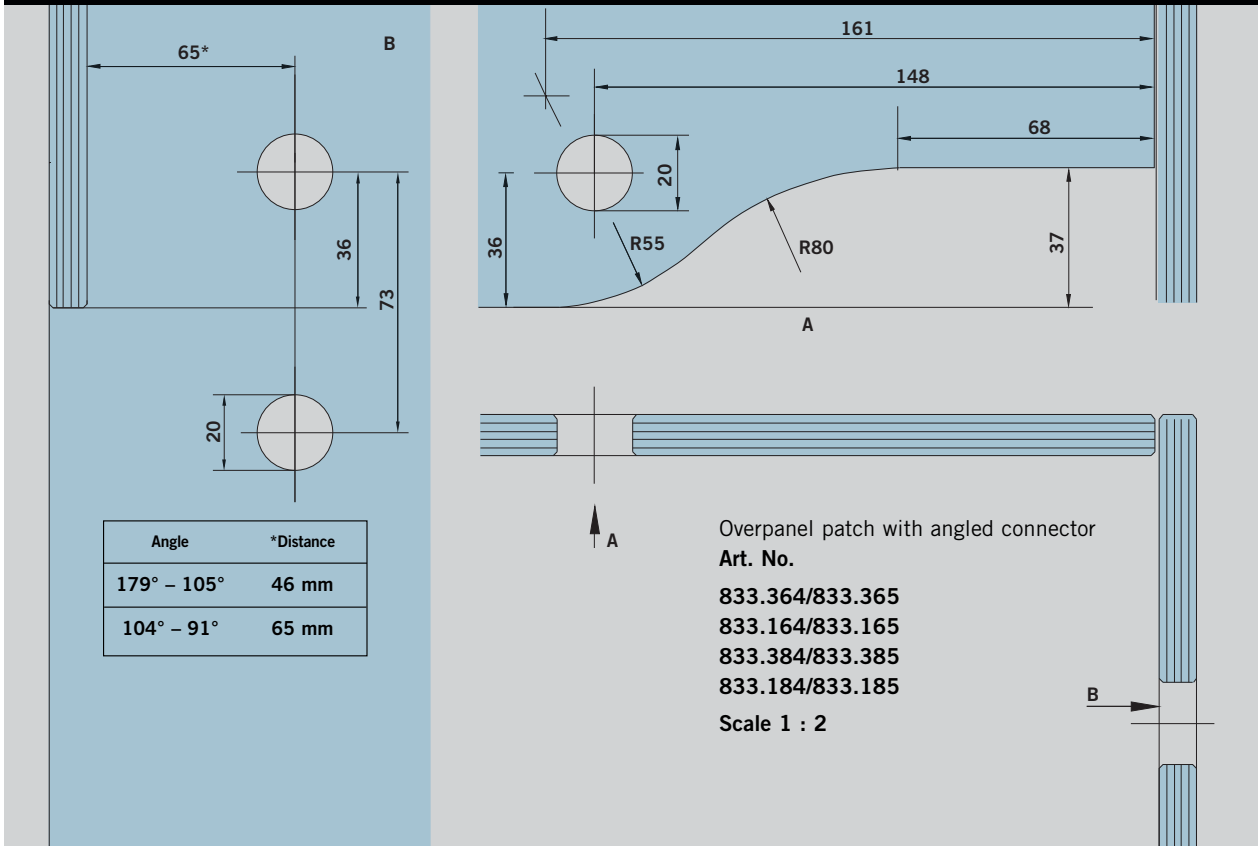
Art. No. see below,

Scale 1 : 2



Art. No.

| | | |
|-----------------|-----------------|-----------------|
| 833.355/833.354 | 833.391/833.393 | 833.395/833.397 |
| 833.155/833.154 | 833.191/833.193 | 833.195/833.197 |
| 833.356/833.357 | 833.392/833.394 | 833.396/833.398 |
| 833.156/833.157 | 833.192/833.194 | 833.196/833.198 |

PT 42

PT 51

Overpanel fin fitting for back
to back doors

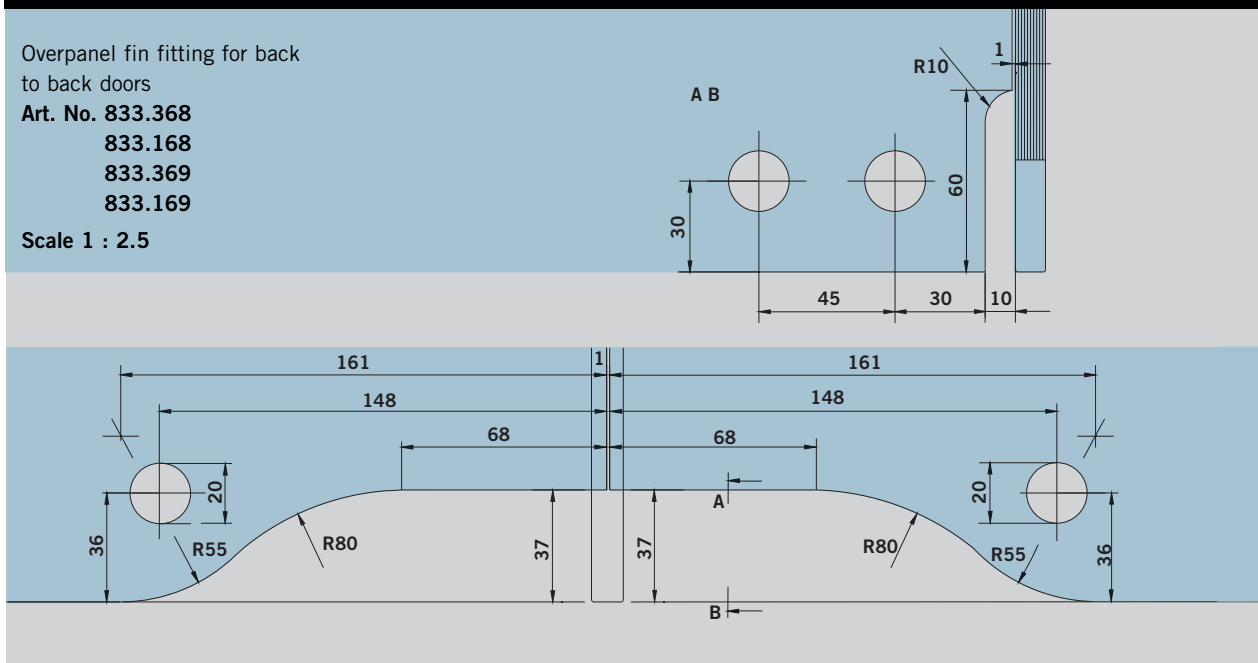
Art. No. 833.368

833.168

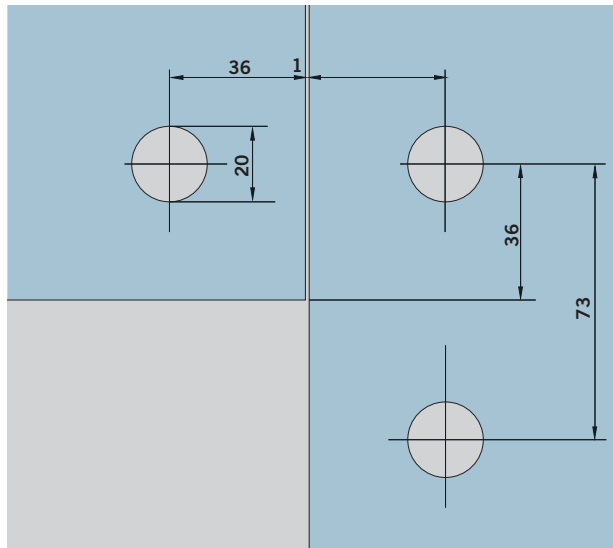
833.369

833.169

Scale 1 : 2.5



NOTE: Various weights and measures in metric units. Refer to page 51 for Metric/English conversion guide.

**PT 60/61, PT 62**

Connectors for overpanels
and sidelites

Art. No. 803.150, 803.452

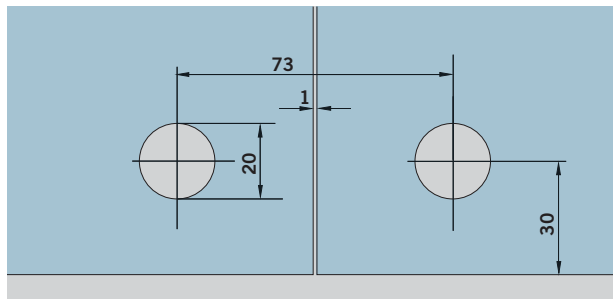
and connector with stop

Art. No. 803.173

Scale 1 : 2

Art. No. 803.157, 803.158

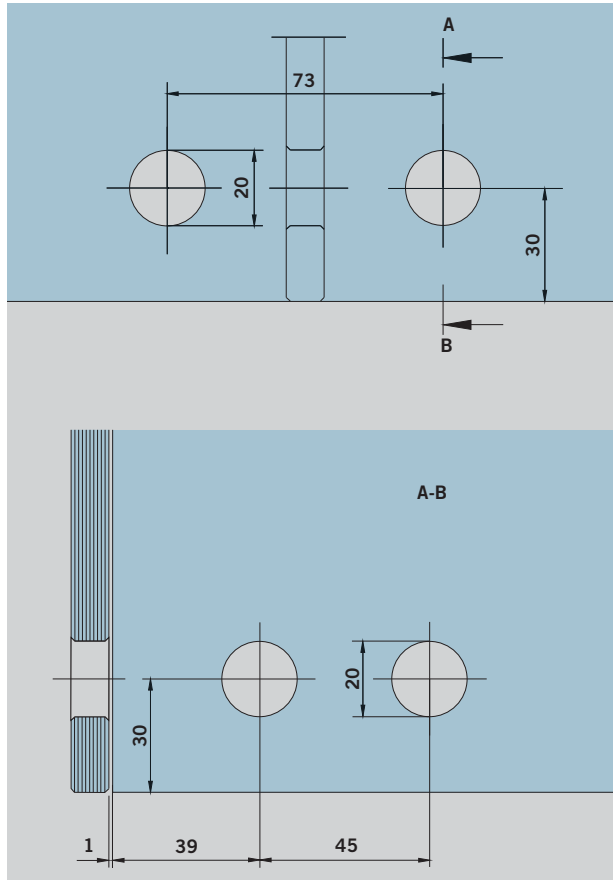
Glass preparation for fin
fitting see PT 81 (page 22)

**PT 70**

Overpanel connector

Art. No. 801.150, 801.158

Scale 1 : 2

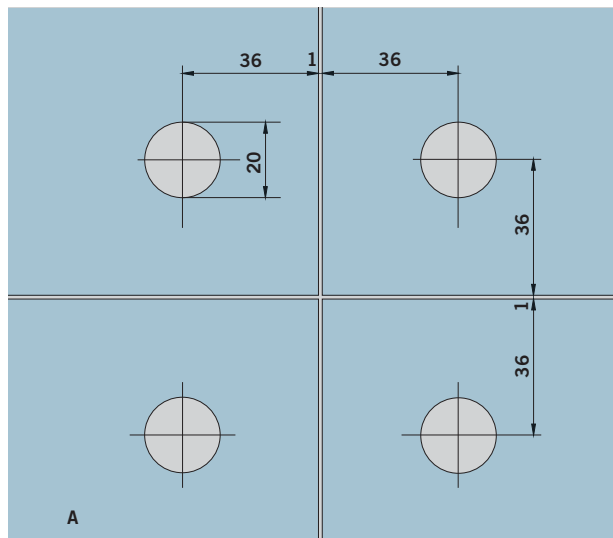


PT 71

Overpanel connector with
fin fitting

Art. No. 801.161

Scale 1 : 2

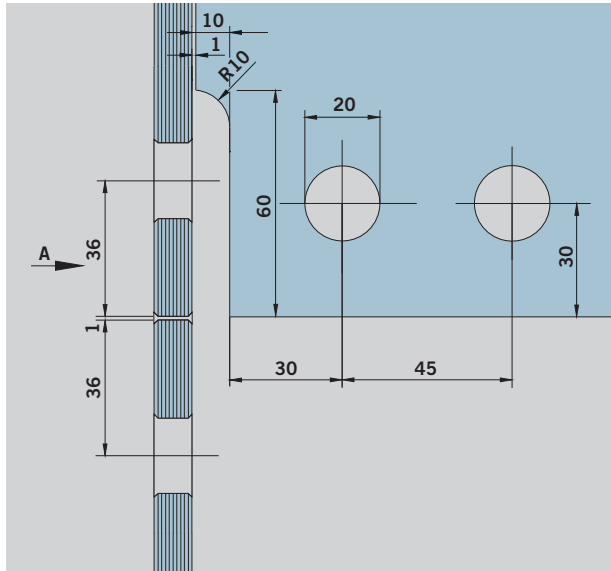


PT 80

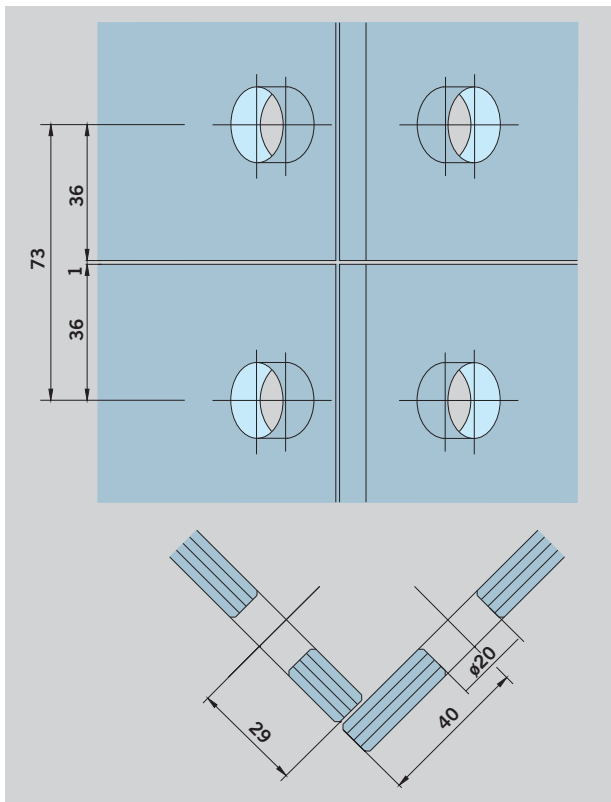
Connector

Art. No. 803.170, 803.472

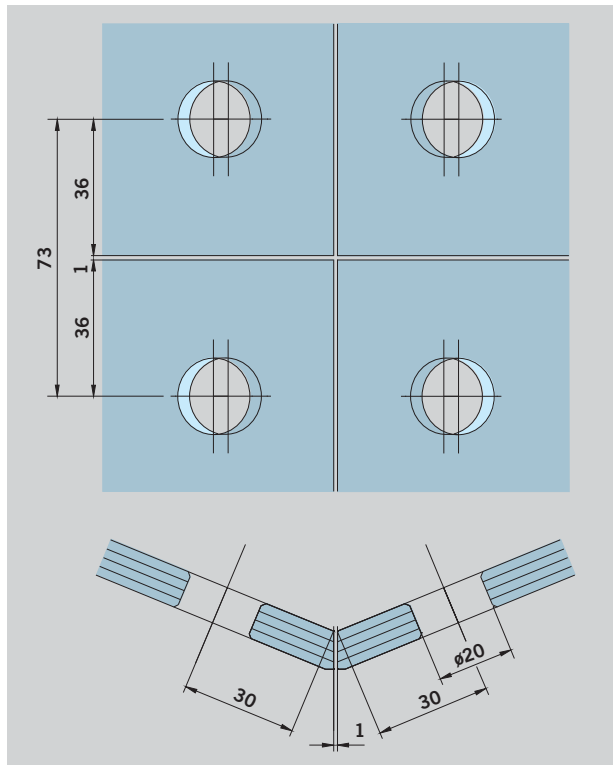
Scale 1 : 2

**PT 81**

Connector with
fin fitting
Art. No. 803.175
Scale 1 : 2

**PT 80**

Angled connector, 90°
Art. No. 803.171
Glass preparation examples
for angles between
91°–134°/136°–179° avail-
able on request.
Scale 1 : 2



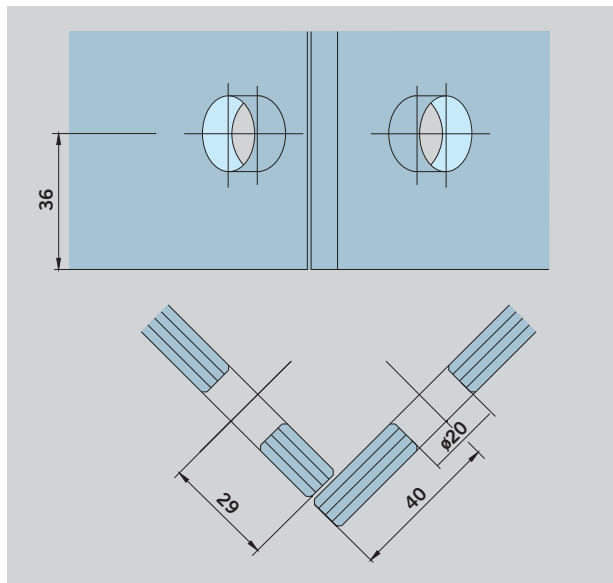
PT 80

Angled connector, 135°

Art. No. 803.172

Glass preparation examples for angles between 91°–134°/136°–179° available on request.

Scale 1 : 2



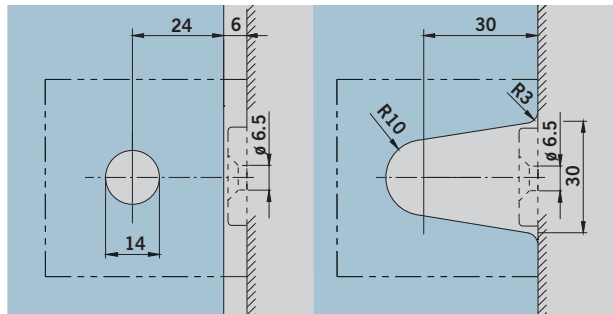
PT 80 shortened

Angled connector, 90° shortened

Art. No. 803.470

Glass preparation examples for angles between 91°–134°/136°–179° available on request.

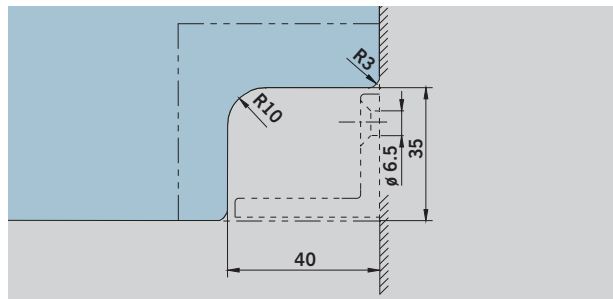
Scale 1 : 2

**PT 90**

Screw on fitting

Art. No. 807.021, 807.210

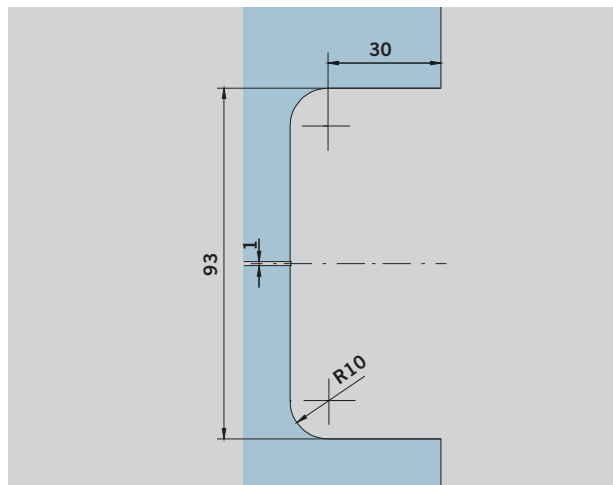
Scale 1 : 2

**PT 91**

Corner fitting

Art. No. 807.023, 807.211

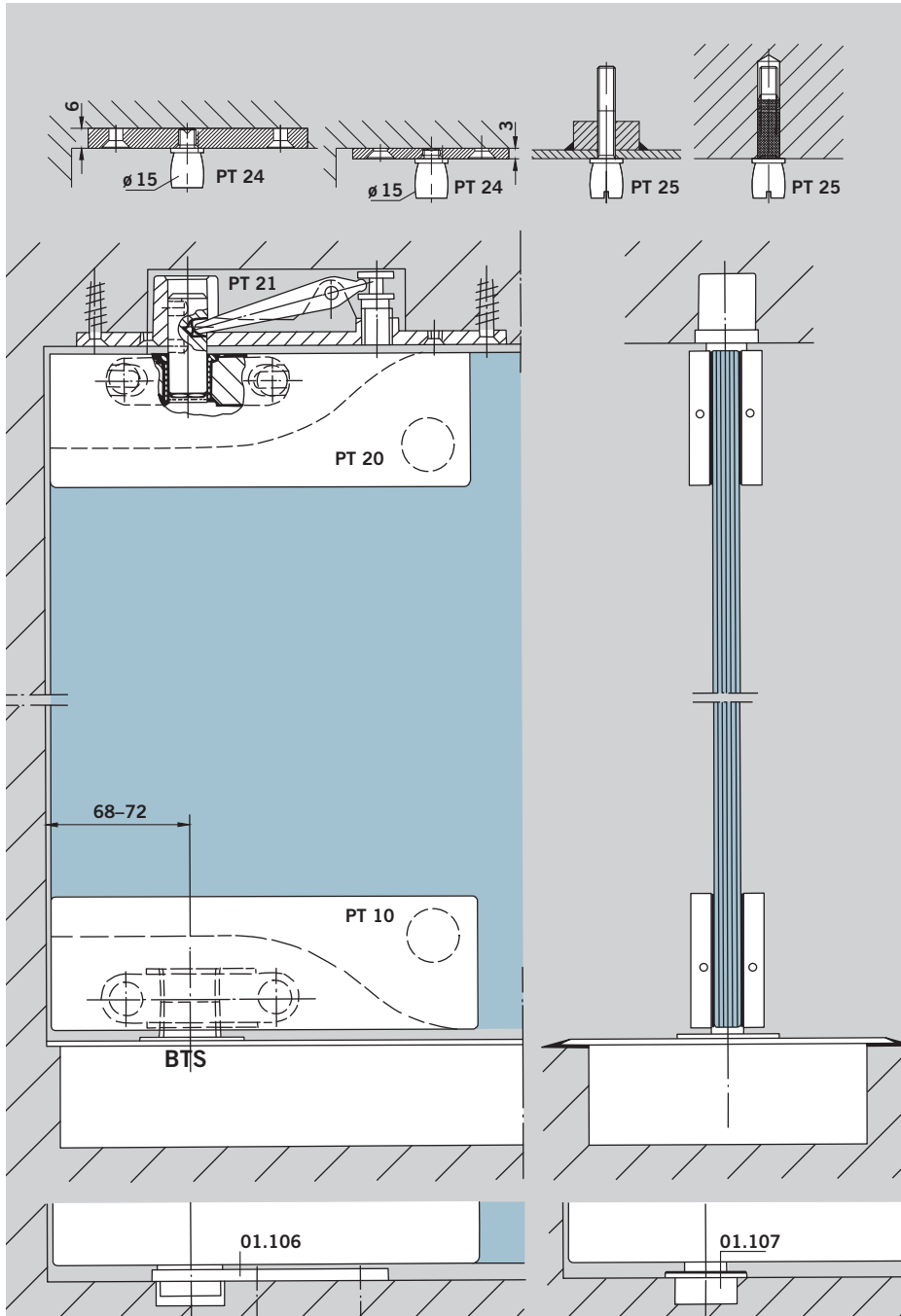
Scale 1 : 2

**Side connector**

with fixing plate

Art. No. 801.153

Scale 1 : 2



**Fixing of pivots
and top centers**

Fixing of top pivots and
top centers for PT 20

Fixing of floor springs, pivot
bearings for PT 10

NOTE: Various weights and measures in metric units. Refer to page 51 for Metric/English conversion guide.



ARCOS
Universal



Contents

| | |
|--|----|
| General information, maximum measurements | 27 |
| ARCOS Universal Patch fittings | 29 |
| ARCOS Universal Connectors | 31 |
| ARCOS Universal Glass preparation details | 32 |
| ARCOS Universal Construction details | 33 |
| Accessories | 40 |
| Metric/English conversion guide | 51 |

ARCOS Universal ... unique design with in-built system versatility

The ARCOS Universal range offers patch fittings and connector hardware for overpanels and side panels, and fin fittings for particularly large systems—with the curved arc motif of the ARCOS design always incorporated into each component. Gentle reflections that change with the planes give both the glass and its fittings the appearance of a harmonious whole.

Easy glass preparation, secure fixing

DORMA Glas understands the special properties of glass as a building material, designing fittings that require only minimal glass preparation—a quick and easy cut-out with additional holes. Careful consideration and positive measures have been taken to create the maximum

clamping surface with optimum clamping efficiency.

Suitable for common glass thicknesses

ARCOS Universal fittings are available for 3/8" (10 mm) and 1/2" (12 mm) glass thicknesses.

Reliability built in

Quality materials and thorough workmanship mean that ARCOS Universal fittings have the features necessary to meet the most demanding of specifications.

The fittings are designed to withstand large and heavy doors up to a maximum weight of 220 lb (100 kg).

Rails are available for heavier doors—330 lb (150 kg) maximum, for wider doors—48" (1219 mm) maximum, and for high traffic doors.

Clip-on technique

The innovative clip-on technique incorporated into the hardware ensures that the cover caps are secured to the basic components, so that the fixing is virtually invisible.

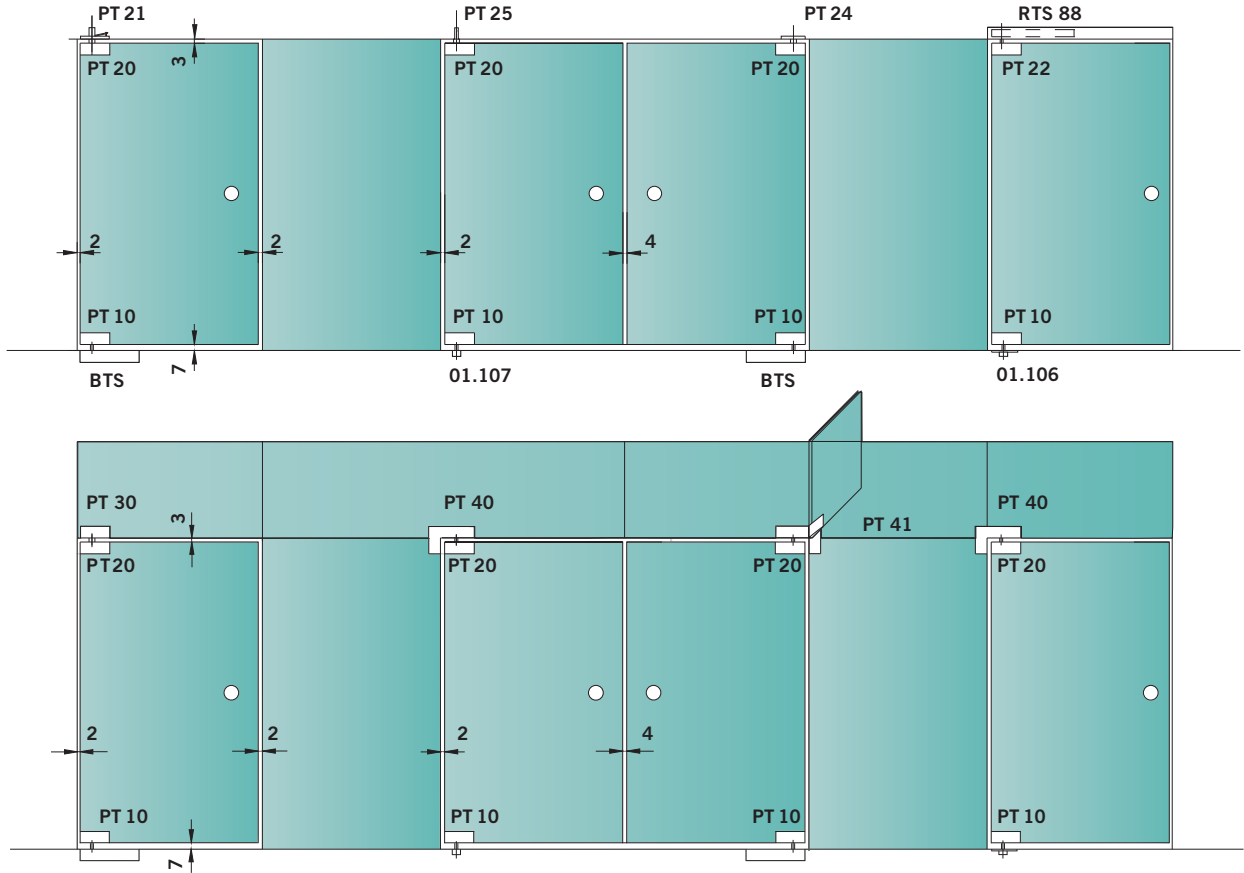
Matching range of locks

The ARCOS Universal range includes every type of accessory, and of course, a variety of locks and strike boxes in a matching design concept, giving the designer plenty of options to choose from. Contact Customer Service for more details.



Type selection

Tempered glass assemblies with fittings. All standard assembly types see page 5.



BTS = Floor spring
 PT = Center hung door fittings
 RTS = Transom closer
 (see Technical Information DORMA RTS Series for details)

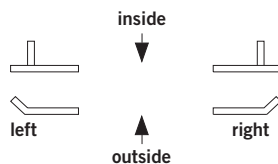
Maximum door weight and width for DORMA Universal fittings

Max. door weight:
 220 lb (80 kg)
 Max. door width:
 43" (1100 mm)
 For door weights up to 330 lb (150 kg) and widths up to 48" (1219 mm), DRS door rails should be used.

Torque for fixing screws

Screws M 6:
 7.5 lb-ft / 10 Nm (4 mm)*
 Screws M 6:
 11 lb-ft / 15 Nm (5 mm)*
 Screws M 8:
 15 lb-ft / 20 Nm (5 mm)*
 *Allan key size

Please note: If angle fittings or fin fittings are used:
 "Left" or "Right" has to be determined in any case by view from outside and above.



Surface finishes

ARCOS Universal is available in the following surface finishes:

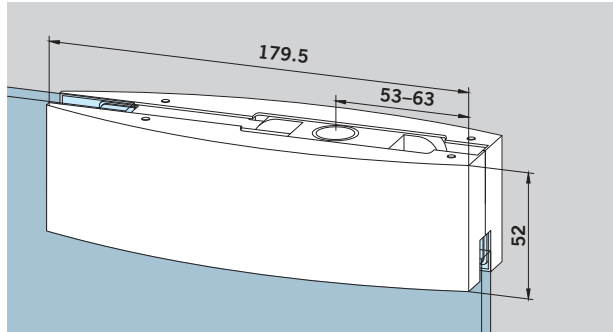
- Aluminum, EV1 (114)
- Traffic-white (300)¹
- Brass polished (503)¹
- Satin stainless steel (700)
- Polished stainless steel (701)

Special finishes with anodized colors and other coatings are available upon request.

1. Available upon request

Patch fittings

Shown with 3/8" (10 mm) and 1/2" (12 mm) glass. Accessories see page 40.

**ARCOS PT 20****top patch**

with plastic socket for top pivot 15 mm Ø

- 3/8" (10 mm) glass:

Art. No. 826.110

- 1/2" (12 mm) glass:

Art. No. 833.210

Pivot location:

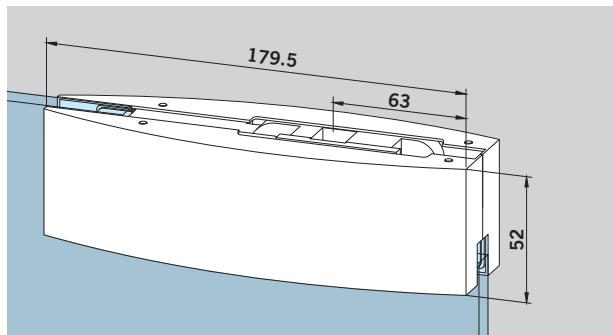
2-5/8" (67 mm)

Weight in lb (kg):

Aluminum 1.049 (0.477)

Stainless steel

1.265 (0.575)

**ARCOS PT 22****top patch**

with insert for DORMA RTS transom closer (see also Technical Information DORMA RTS Series)

- 3/8" (10 mm) glass:

Art. No. 826.112

- 1/2" (12 mm) glass:

Art. No. 833.208

Pivot location:

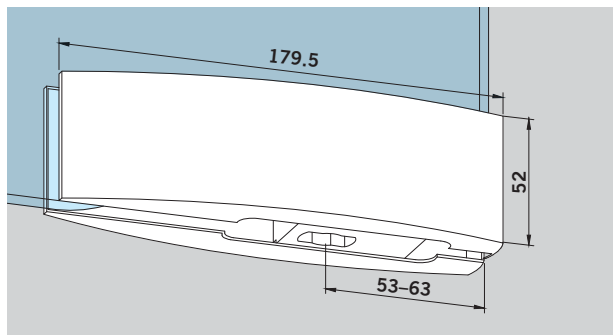
2-5/8" (67 mm)

Weight in lb (kg):

Aluminum 1.272 (0.578)

Stainless steel

1.489 (0.677)

**ARCOS PT 10****bottom patch**

with insert for DORMA floor spring spindle, or round pivot 14 mm Ø

- 3/8" (10 mm) glass:

Art. No. 826.100

- 1/2" (12 mm) glass:

Art. No. 833.200

Pivot location:

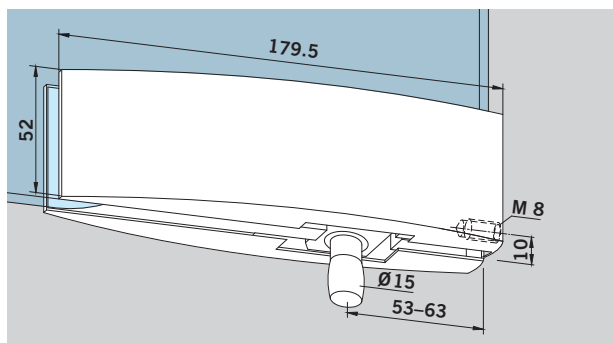
2-5/8" (67 mm)

Weight in lb (kg):

Aluminum 1.241 (0.564)

Stainless steel

1.456 (0.662)

**ARCOS PT 30****overpanel patch**

with pivot 15 mm Ø, with M 8 tapped hole at side

- 3/8" (10 mm) glass:

Art. No. 826.120

- 1/2" (12 mm) glass:

Art. No. 833.220

Pivot location:

2-5/8" (67 mm)

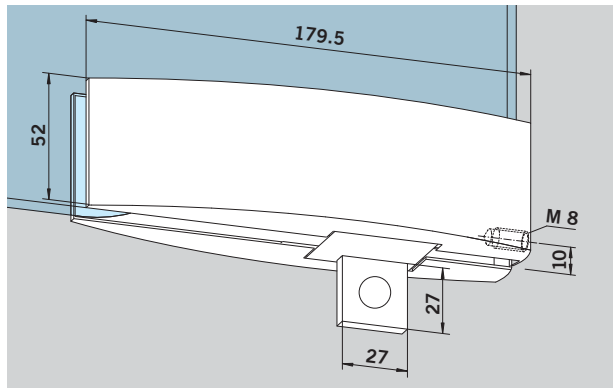
Weight in lb (kg):

Aluminum 1.161 (0.528)

Stainless steel

1.399 (0.636)

NOTE: Various weights and measures in metric units. Refer to page 51 for Metric/English conversion guide.



ARCOS PT 30
overpanel patch
with stop insert

- 3/8" (10 mm) glass:

Art. No. 826.420

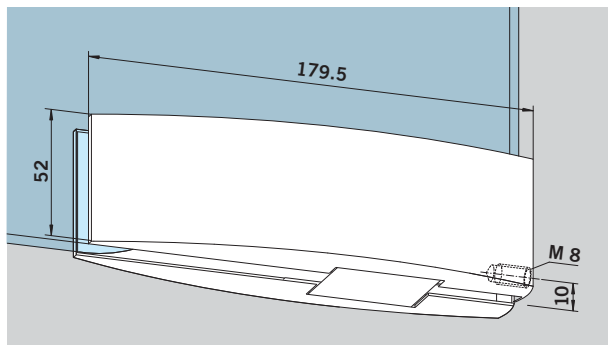
- 1/2" (12 mm) glass:

Art. No. 833.222

Weight in lb (kg):

Aluminum 1.161 (0.528)

Stainless steel
1.276 (0.580)



ARCOS PT 30
overpanel patch
with blanking insert

- 3/8" (10 mm) glass:

Art. No. 826.421

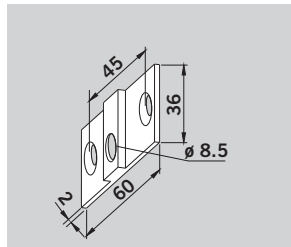
- 1/2" (12 mm) glass:

Art. No. 833.223

Weight in lb (kg):

Aluminum 1.141 (0.519)

Stainless steel
1.256 (0.571)



Fixing plate for overpanel
patch PT 30

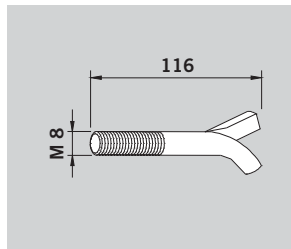
Art. No. 803.128

Weight in lb (kg):

Aluminum 0.035 (0.016)

Brass 0.083 (0.038)

Stainless steel not available,
satin chrome on brass supplied.

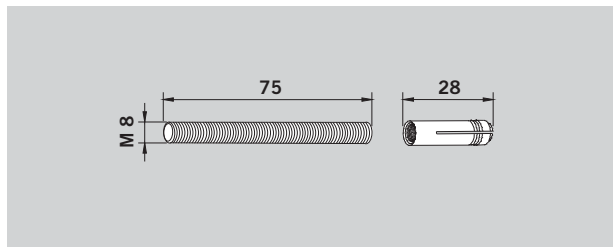


Wall anchor with thread M 8
for overpanel patch PT 30

Art. No. 801.133

Weight in lb (kg):

0.088 (0.040)

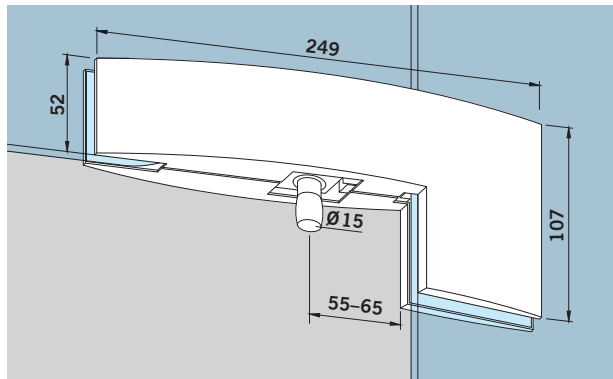


Threaded rod M 8 with plug
for overpanel patch PT 30

Art. No. 801.134

Weight in lb (kg):

0.070 (0.032)

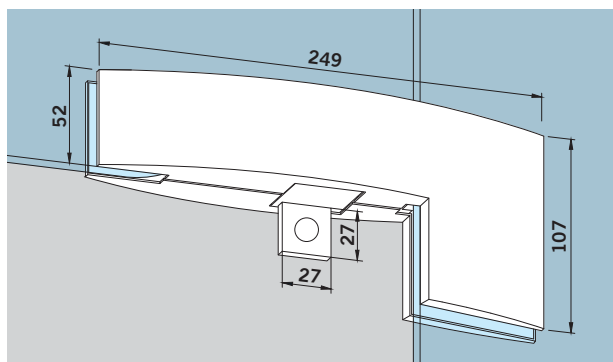


ARCOS PT 40 patch for overpanel and side panel
with pivot 15 mm Ø

- 3/8" (10 mm) glass:
Art. No. 826.140
- 1/2" (12 mm) glass:
Art. No. 833.240

Pivot location:
2-5/8" (67 mm)

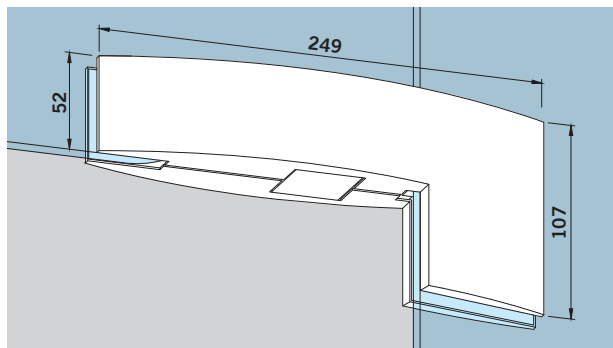
Weight in lb (kg):
Aluminum 1.661 (0.755)
Stainless steel 2.061 (0.937)



ARCOS PT 40 patch for overpanel and side panel
with stop insert

- 3/8" (10 mm) glass:
Art. No. 826.440
- 1/2" (12 mm) glass:
Art. No. 833.241

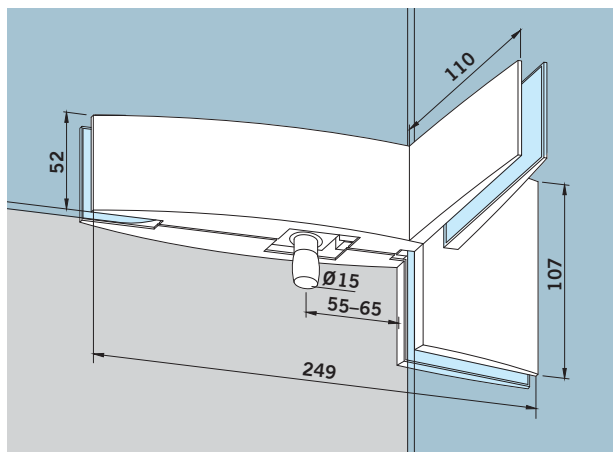
Weight in lb (kg):
Aluminum 1.661 (0.755)
Stainless steel 2.061 (0.937)



ARCOS PT 40 patch for overpanel and side panel
with blanking insert

- 3/8" (10 mm) glass:
Art. No. 826.441
- 1/2" (12 mm) glass:
Art. No. 833.242

Weight in lb (kg):
Aluminum 1.641 (0.746)
Stainless steel 2.041 (0.928)



ARCOS PT 41 patch for overpanels and side panel with fin fitting inside

- with pivot 15 mm Ø
- 3/8" (10 mm) glass:
Art. No. *826.162/826.163
- 1/2" (12 mm) glass:
Art. No. *833.245/833.246
- with stop insert (not illustrated)
- 3/8" (10 mm) glass:
Art. No. *826.262/826.263
- 1/2" (12 mm) glass:
Art. No. *833.248/833.249

with blanking insert (not illustrated)

- 3/8" (10 mm) glass:
Art. No. *826.264/826.265
- 1/2" (12 mm) glass:
Art. No. *833.250/833.251

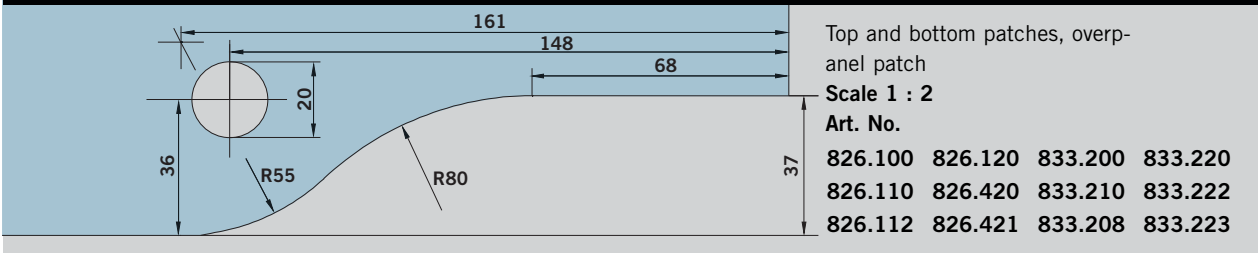
Pivot location:
2-5/8" (67 mm)

Weight in lb (kg):
Aluminum 2.094 (0.952)
Stainless steel 2.633 (1.197)

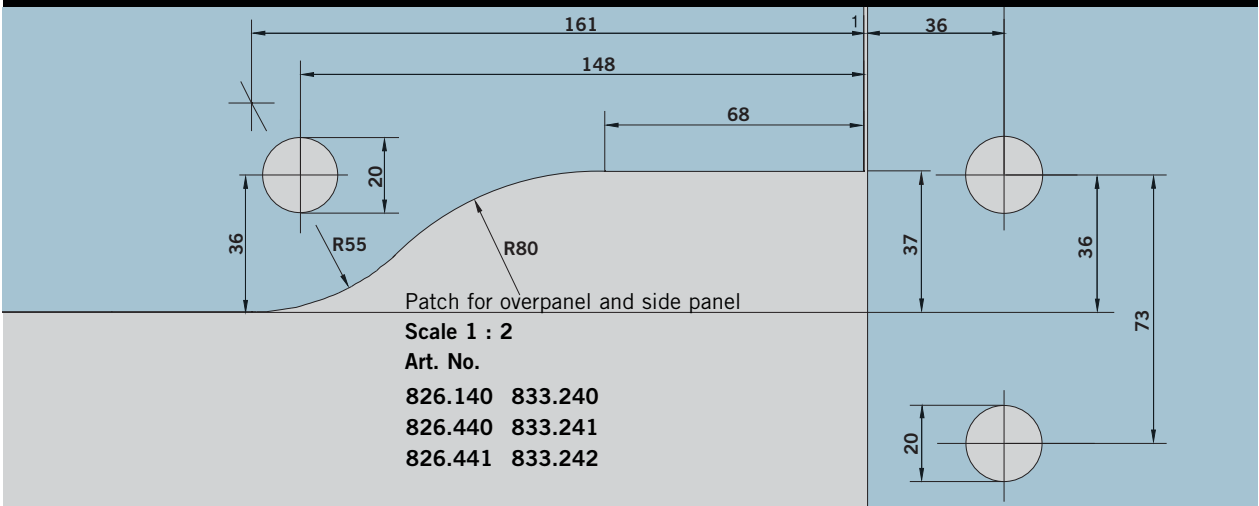
* Left hand fin (illustration shows left hand) / Right hand fin.
Left or right hand is determined by view from outside.

NOTE: Various weights and measures in metric units. Refer to page 51 for Metric/English conversion guide.

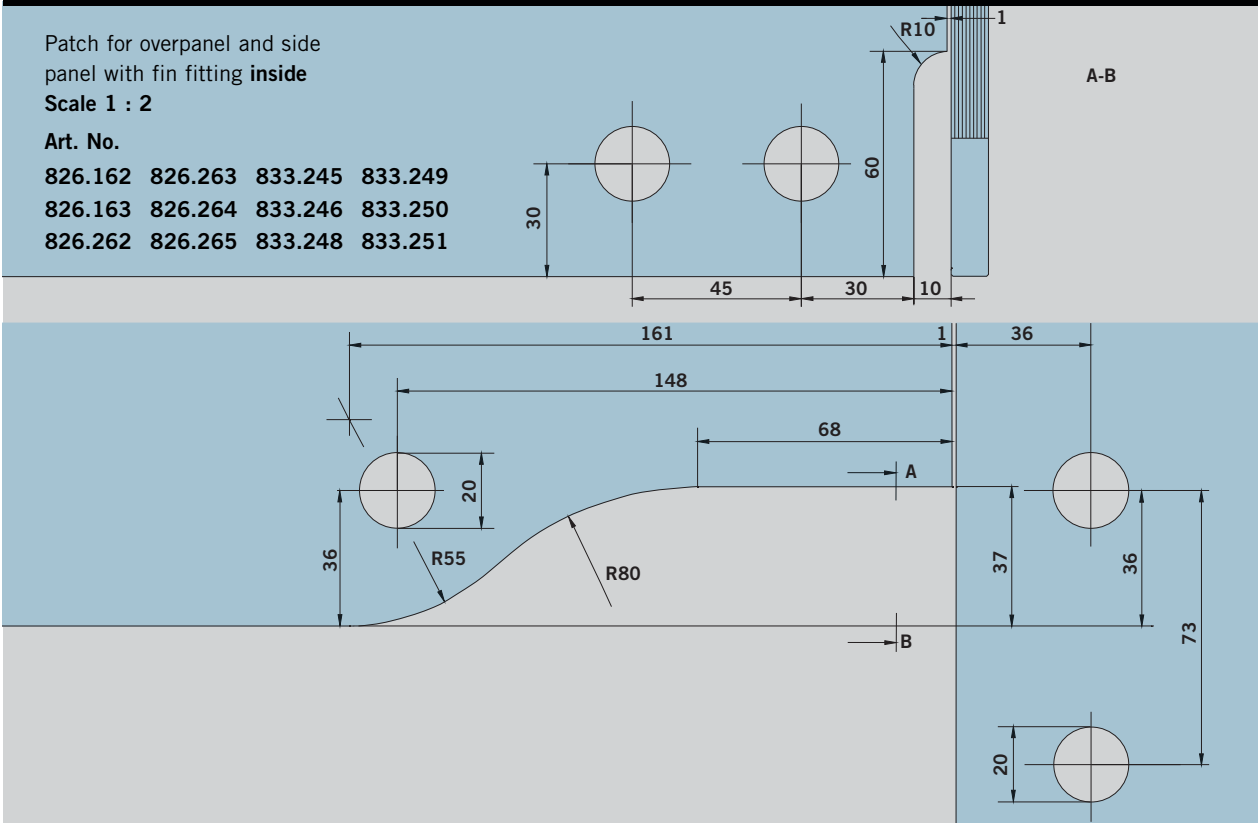
ARCOS PT 10, PT 20, PT 22, PT 30

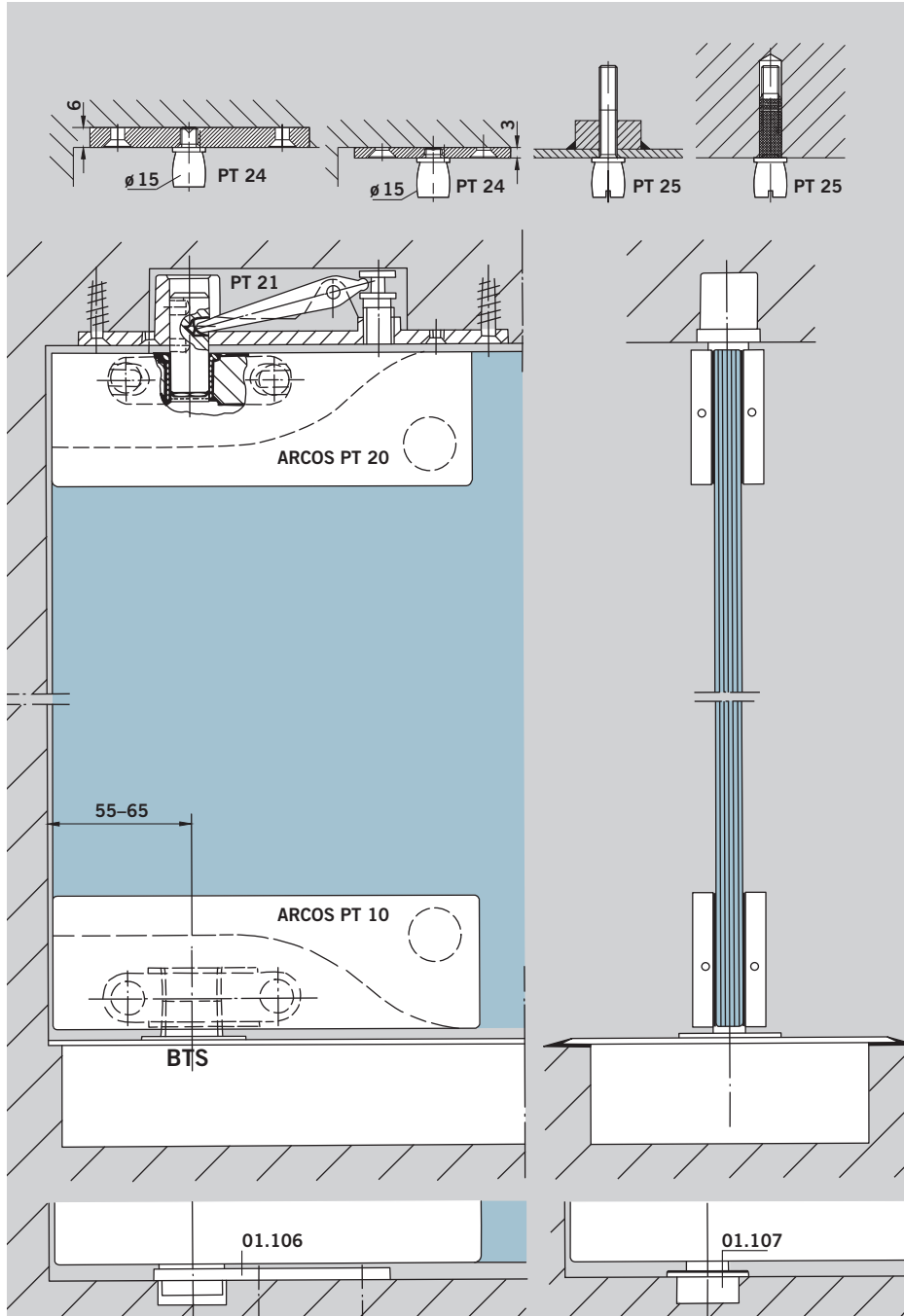


ARCOS PT 40



ARCOS PT 41





**Fixing of pivots
and top centers**

Fixing of top pivots and
top centers for ARCOS PT 20

Fixing of floor springs, pivot
bearings for ARCOS PT 10

NOTE: Various weights and measures in metric units. Refer to page 51 for Metric/English conversion guide.



DORMA EA

Contents

| | |
|--|----|
| General information, maximum measurements | 35 |
| DORMA EA Patch fittings | 36 |
| DORMA EA Top centers for wood and steel frames | 38 |
| DORMA EA Glass preparation details | 39 |
| Accessories | 40 |
| Metric/English conversion guide | 51 |

DORMA EA ... the expansive range with slimline bodies for offset hung doors

DORMA EA patch fittings are characterized by their slim, neat shape and skillful hinge design. This comprehensive range of fittings allows the transparent elegance of single-action doors to reach their full potential—whether hung in frames or integrated into tempered glass openings.

Easy glass preparation secure fixing

DORMA Glas understands the special properties of glass as a building material, designing fittings that require only minimal glass preparation—

a quick and easy cut-out with additional holes. Careful consideration and positive measures have been taken to create the maximum clamping surface with optimum clamping efficiency.

Suitable for common glass thicknesses

DORMA EA patch fittings are available for 3/8" (10 mm) and 1/2" (12 mm) glass thicknesses.

Reliability built in

Quality materials and thorough workmanship mean

that DORMA EA patch fittings have the features necessary to meet the most demanding of specifications.

Matching range of locks

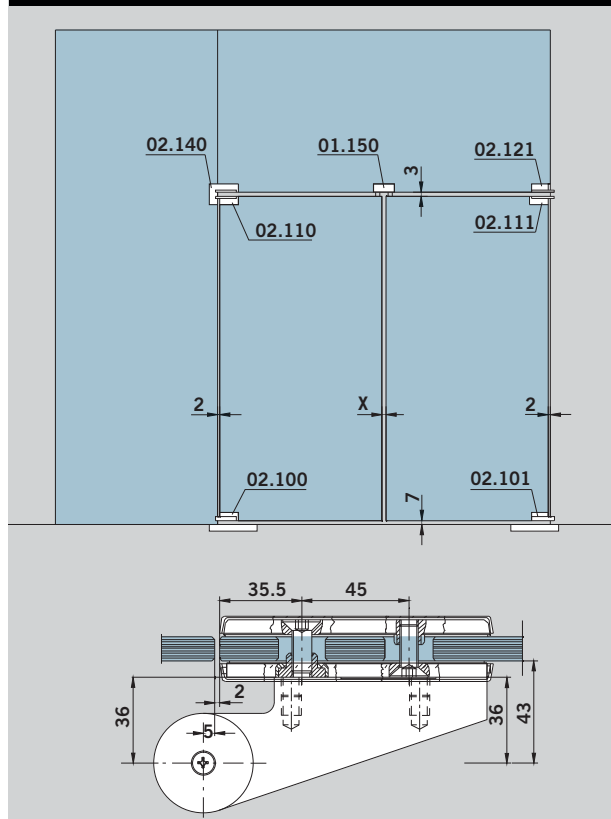
The DORMA EA range includes every type of accessory, and of course, a variety of locks and strike boxes in a matching design concept, giving the designer plenty of options to choose from. Contact Customer Service for more details.

Choice of colors and finishes

DORMA EA corner patches are available in the following finishes:

- Aluminum, silver anodized EV1, (101)
- Aluminum, dark bronze anodized DB (108)
- Brass, polished (503)
- Brass, satin chrome plated (500)

Offset hung doors in tempered glass assemblies



Max. door weight:
220 lb (100 kg)

Max. door width:
43" (1100 mm)

For door weights up to 220 lb (100 kg) and widths up to 47" (1200 mm), DRS door rails should be used.

DORMA EA patch fittings for offset hung doors in tempered glass assemblies have a 1-7/16" (36 mm) offset = 1-11/16" (43 mm) from pivot point to glass surface.

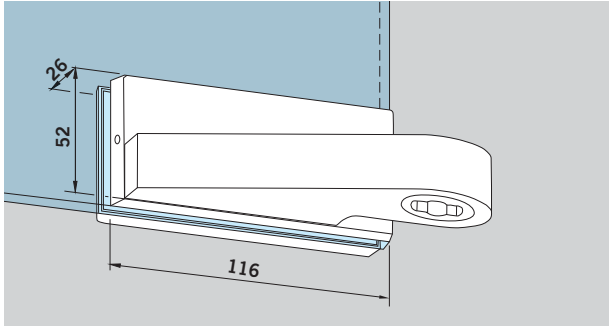
Torque for fixing screws

Screws M 8:
15 lb-ft / 20 Nm

NOTE: Various weights and measures in metric units. Refer to page 51 for Metric/English conversion guide.

Patch fittings for offset hung doors in tempered glass openings

1-7/16" (36 mm) offset = 1-11/16" (43 mm) from pivot point to glass surface, complete, for 3/8" (10 mm) and 1/2" (12 mm) glass thickness.

**Bottom patch**

to suit DORMA floor spring spindle, or round pivot
14 mm Ø

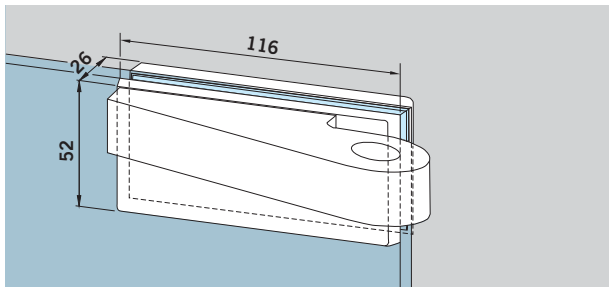
Art. No. *802.100/802.101

Weight in lb (kg):

Aluminum 1.606 (0.730)

Stainless steel

2.807 (1.276)

**Top patch**

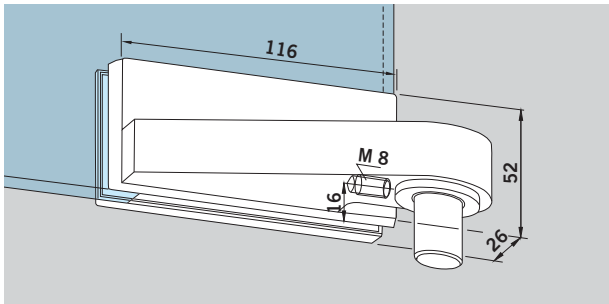
Art. No. *802.110/802.111

Weight in lb (kg):

Aluminum 1.452 (0.660)

Stainless steel

2.734 (1.243)

**Overpanel patch**

bushing outside Ø 20 mm,
pivot Ø 15 mm

Art. No. *802.120/802.121

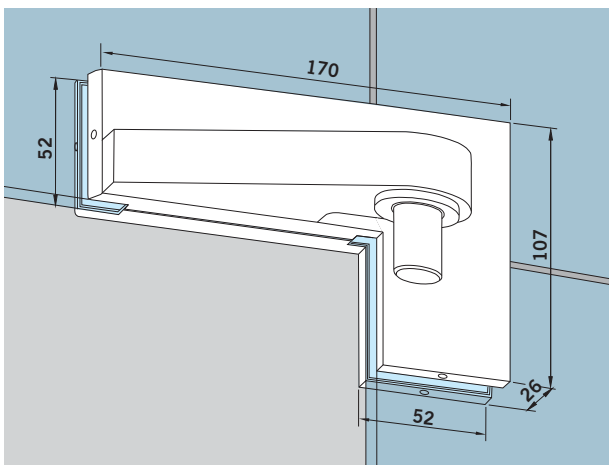
Weight in lb (kg):

Aluminum 1.401 (0.637)

Stainless steel

2.624 (1.193)

See page 43 for wall connector plate **Art. No. 801.127**

**Patch for overpanel and sidelite**

bushing outside
Ø 20 mm, pivot Ø 15 mm

Art. No. *802.140/802.141

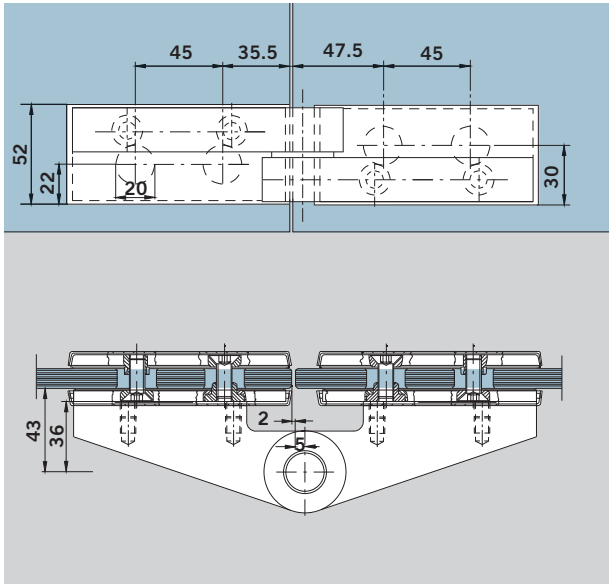
Weight in lb (kg):

Aluminum 1.830 (0.832)

Stainless steel

3.099 (1.409)

* Left/right hand (illustration shows right hand) is determined by view from hanging side.



Top patch

complete with pivot for
sidelite

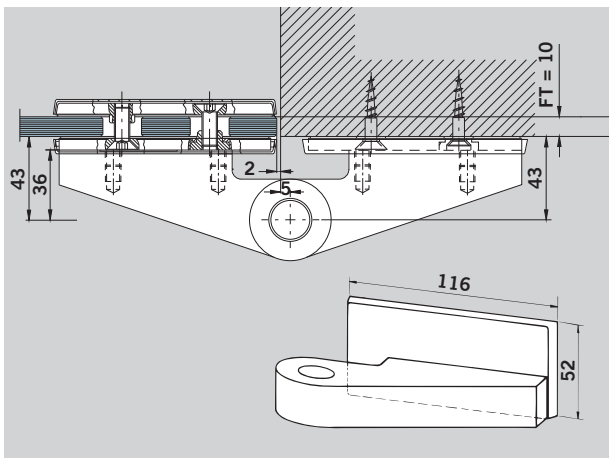
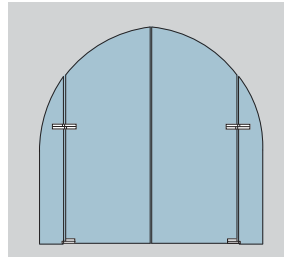
Art. No. *802.200/802.201

Weight in lb (kg):

Aluminum 3.113 (1.415)

Stainless steel

5.678 (2.581)



Top patch

complete with pivot for wall
fixing

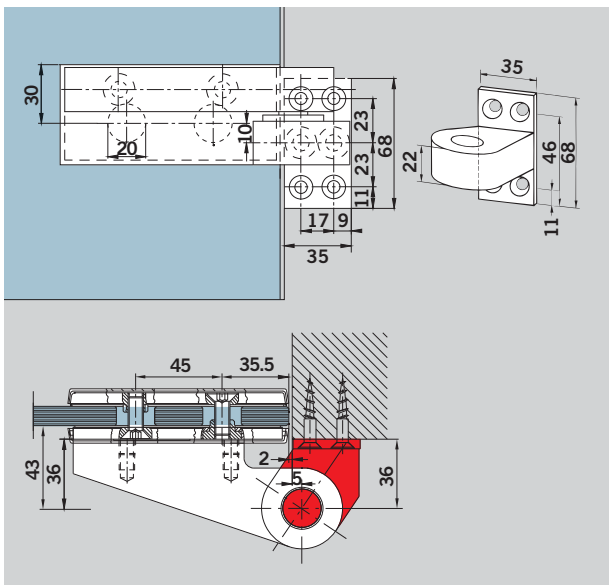
Art. No. *802.202/802.203

Weight in lb (kg):

Aluminum 2.809 (1.277)

Stainless steel

5.561 (2.528)



Top patch

complete with pivot for frame
fixing

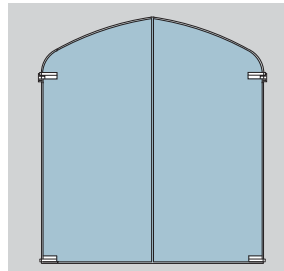
Art. No. *802.204/802.205

Weight in lb (kg):

Aluminum 1.969 (0.895)

Stainless steel

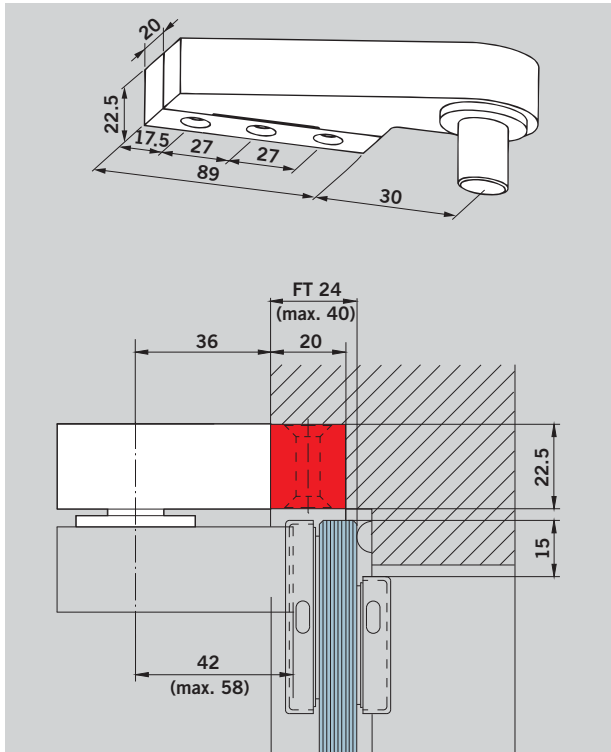
3.850 (1.750)



* Left/right hand (illustration shows
right hand) is determined by view
from hanging side.

NOTE: Various weights and measures in metric units. Refer to page 51 for Metric/English conversion guide.

Top centers for wood and steel frames



Frame top center
with fixing block

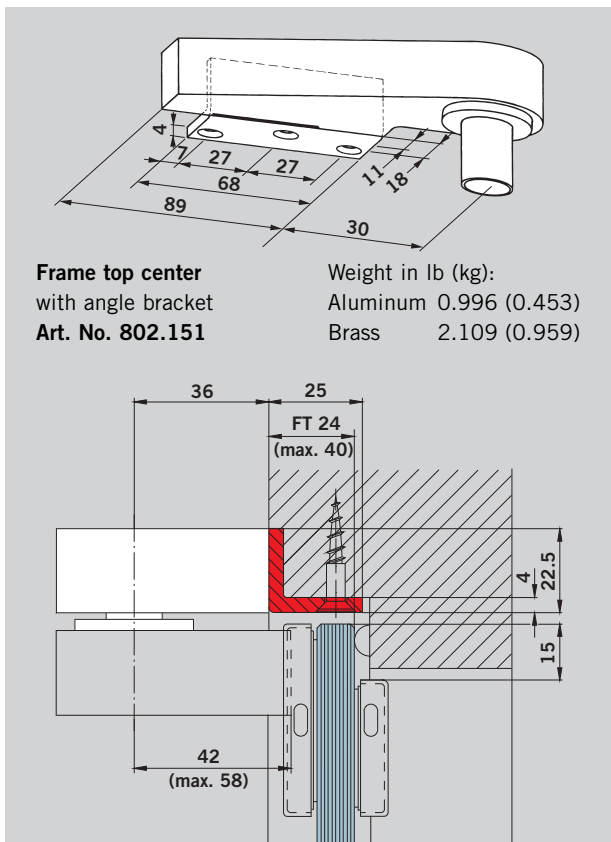
Art. No. 802.150

Weight in lb (kg):

Aluminum 1.036 (0.471)

Stainless steel
2.149 (0.977)

(If corner fittings/door rails are combined with frame top centers described below, please indicate **rebate depth** with order.)

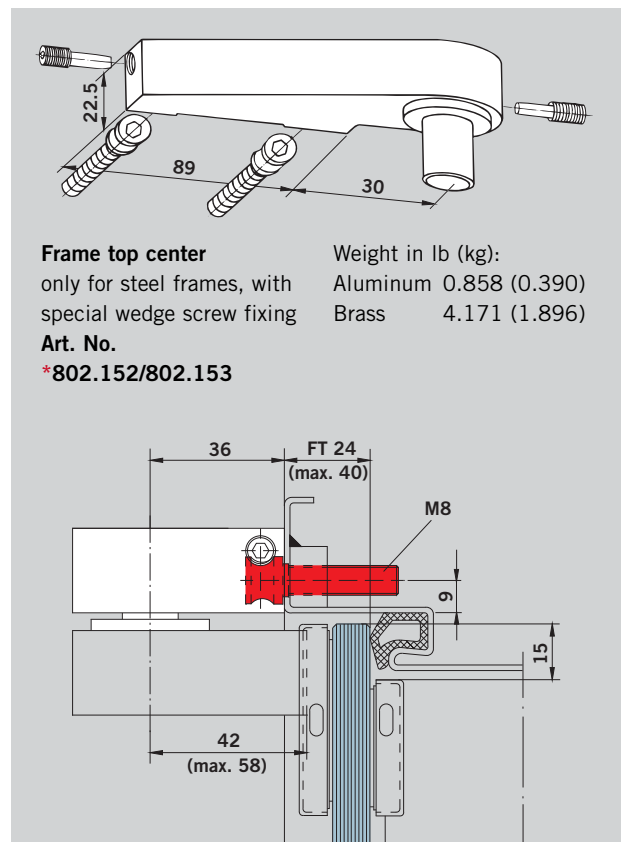


Frame top center
with angle bracket
Art. No. 802.151

Weight in lb (kg):

Aluminum 0.996 (0.453)

Brass 2.109 (0.959)



Frame top center

only for steel frames, with
special wedge screw fixing
Art. No.

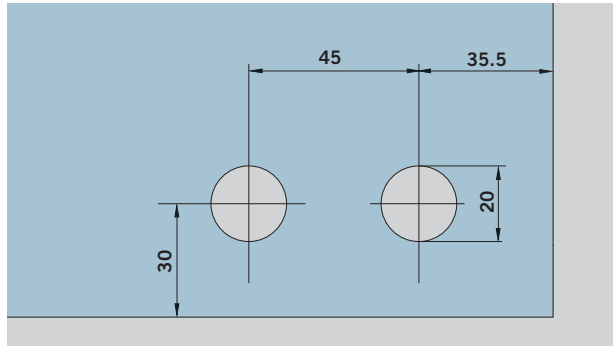
***802.152/802.153**

Weight in lb (kg):

Aluminum 0.858 (0.390)

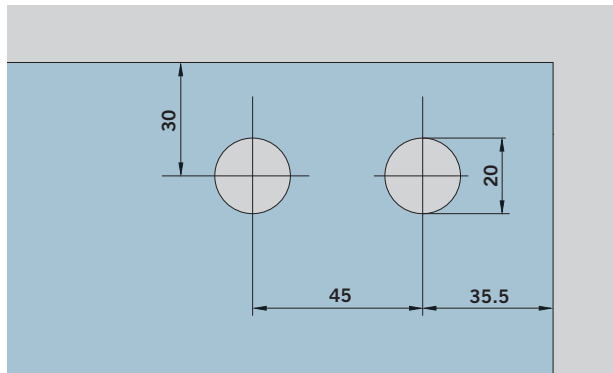
Brass 4.171 (1.896)

* Left/right hand (illustration below shows right hand) are determined by view from hanging side.

**Bottom patches**

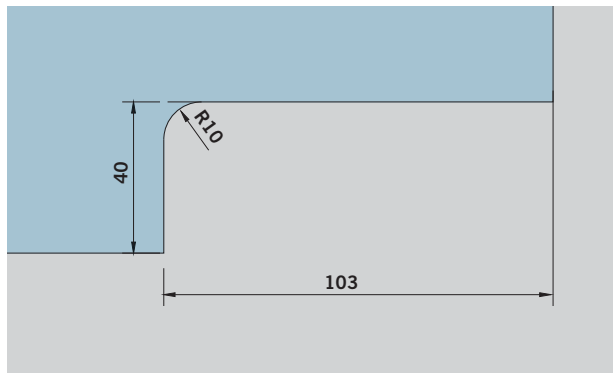
Art. No. left hand: right hand:
802.100 802.101

Scale 1 : 2

**Top patches**

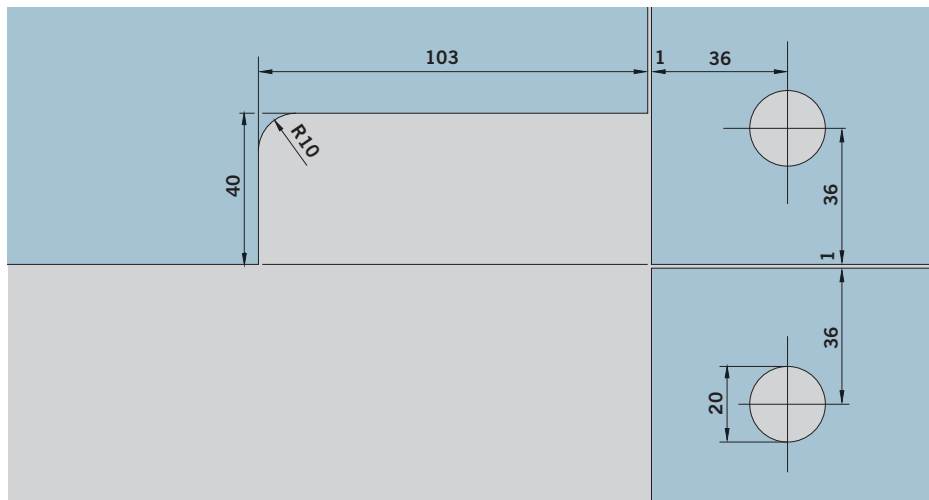
Art. No. left hand: right hand:
802.110 802.111

Scale 1 : 2

**Overpanel patches**

Art. No. left hand: right hand:
802.120 802.121

Scale 1 : 2

**Patches for overpanel and sidelite**

Art. No. left hand: right hand:
802.140 802.141

Scale 1 : 2

NOTE: Various weights and measures in metric units. Refer to page 51 for Metric/English conversion guide.




Accessories

Contents

| | |
|--|----|
| Floor bearings, Floor sockets | 41 |
| Pivots | 42 |
| Fixing plates, threaded rod, patch lock | 43 |
| Handle bars | 44 |
| Clamping fittings | 46 |
| Usage and assembly of fins | 48 |
| Mechanical channel | 49 |
| Clip on cover profile, end caps, filler block | 50 |
| Metric/English conversion guide | 51 |

Accessories for patch fittings . . . Perfection in detail

DORMA Glas offers a wide range of original accessories for patch fittings.

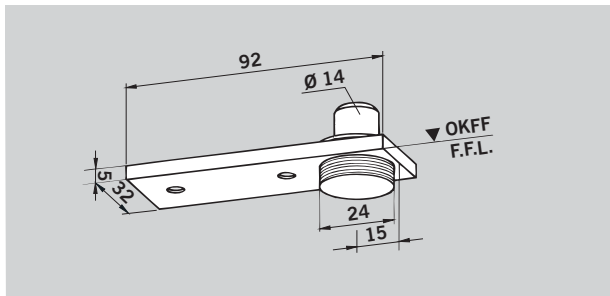
Designed to complement the DORMA product line, these accessories optimize the technical excellence and cost

effectiveness of tempered glass systems of all types.

Aside from functional components, such as special floor pivots, DORMA also offers a choice of security-relevant options. Installing these opti-

ons further enhances the exceptional functional efficiency, reliability, and long service life expected of DORMA Glas systems.

Floor bearings, Floor socket



Floor pivot bearing with round pivot 14 mm Ø, and cover plate; height adjustable by 3/16" (5 mm)
 max. door weight
 220 lb (100 kg)

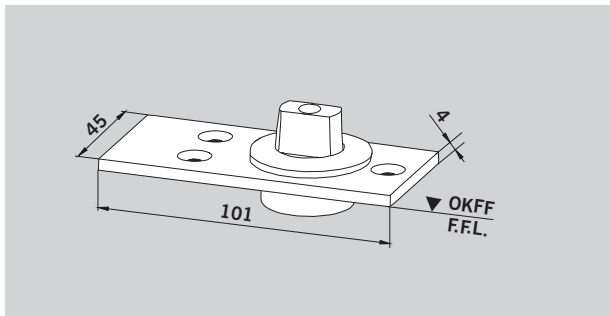
Art. No. 801.106

Weight in lb (kg):

Aluminum 0.341 (0.155)

Brass 0.374 (0.170)

Stainless steel
 0.372 (0.169)



Floor bearing with DORMA profile spindle (longer spindle on request), max. door weight
 440 lb (200 kg)

Art. No. 804.602

Weight in lb (kg):

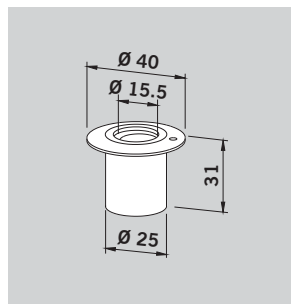
0.559 (0.254)

Stainless Steel
 max. door weight:
 440 lb (200 kg)

Art. No. 804.603

Weight in lb (kg):

0.563 (0.256)



Floor socket, eccentric, zinc coated brass, with adjustable plastic socket insert

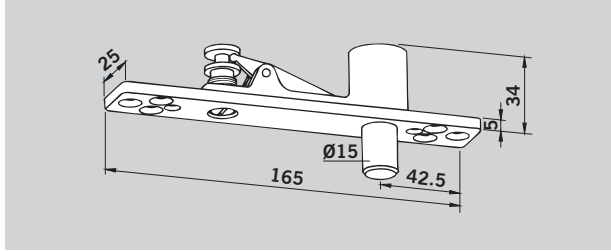
Art. No. 805.194

Weight in lb (kg):

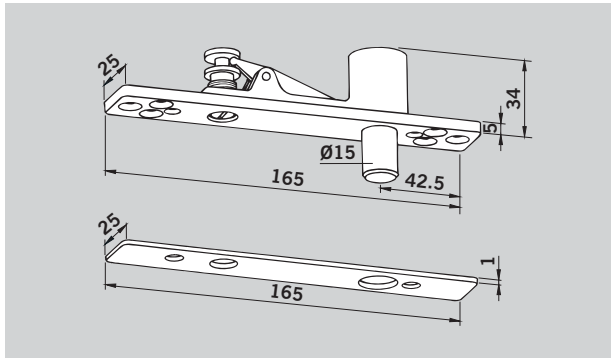
0.044 (0.020)

NOTE: Various weights and measures in metric units. Refer to page 51 for Metric/English conversion guide.

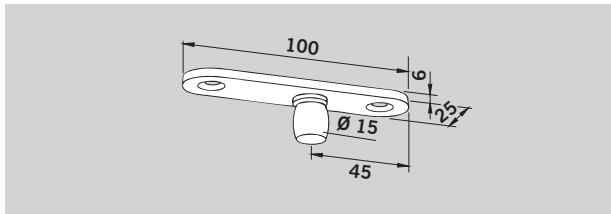
Pivots



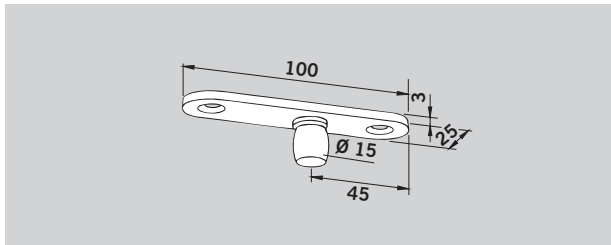
PT 21 frame portion
top center with removable pin
15 mm Ø
Art. No. 801.117
Weight in lb (kg):
0.737 (0.335)



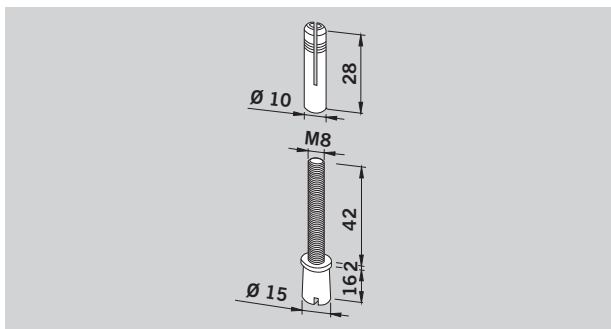
PT 21 frame portion
top center with removable pin
15 mm Ø, with cover plate
Art. No. 801.118
Weight in lb (kg):
0.759 (0.345)



PT 24 pivot 15 mm Ø,
with fixing plate, material
thickness 6 mm **countersink**
base plate in ceiling
Art. No. 801.116
Weight in lb (kg):
Aluminum 0.128 (0.058)

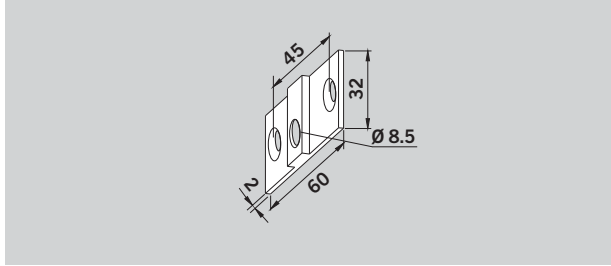


PT 24 pivot 15 mm Ø, with
fixing plate, material thickness
3 mm, to screw **on the ceiling**
Art. No. 801.123
Weight in lb (kg):
Aluminum 0.092 (0.042)
Brass 0.171 (0.078)
Stainless steel
0.163 (0.074)



PT 25 pivot 15 mm Ø
with plug
Art. No. 801.115
Weight in lb (kg):
0.097 (0.044)

Fixing plate, Threaded rod, Cylinders



Fixing plate

for overpanel patch PT 30

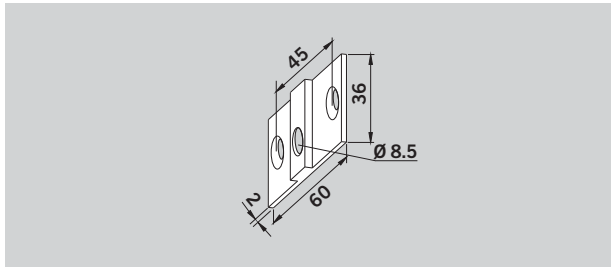
Art. No. 803.128

Weight in lb (kg):

Aluminum 0.035 (0.016)

Brass 0.083 (0.038)

Stainless steel not available,
 satin chrome on brass supplied.



for overpanel patches from
 EA program

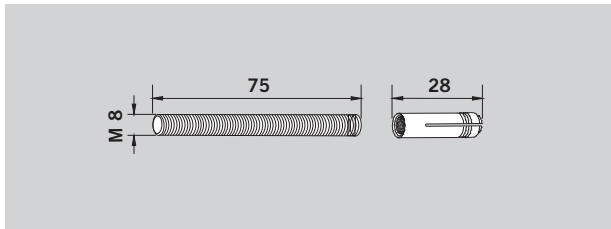
Art. No. 801.127

Weight in lb (kg):

Aluminum 0.042 (0.019)

Brass 0.099 (0.045)

Stainless steel not available,
 satin chrome on brass supplied.



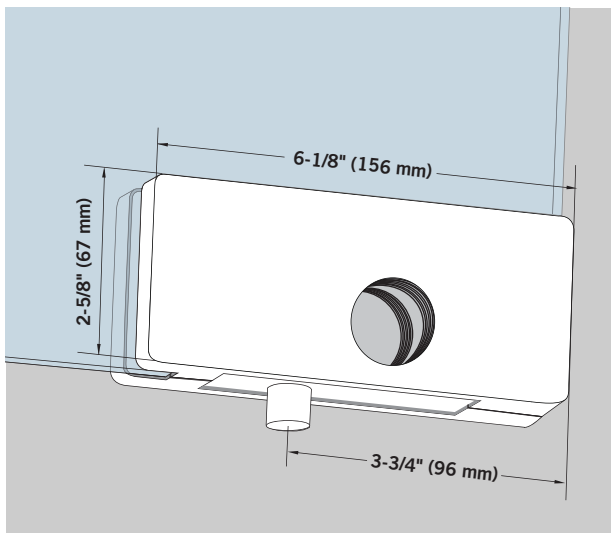
Threaded rod

M 8 with plug for overpanel
 patch

Art. No. 801.134

Weight in lb (kg):

0.070 (0.032)



Patch Lock – AR20

- 3/8" (10 mm) glass:

Art. No. 801.124

- 1/2" (12 mm) glass:

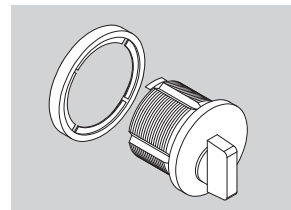
Art. No. 801.122

- 5/8" (15 mm) glass:

Art. No. 801.126

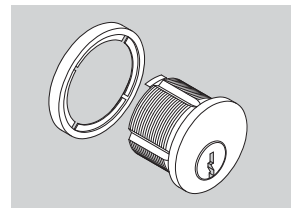
- 3/4" (19 mm) glass:

Art. No. 801.125



**Thumbturn with
 blocking ring**

Art. No. 225.996

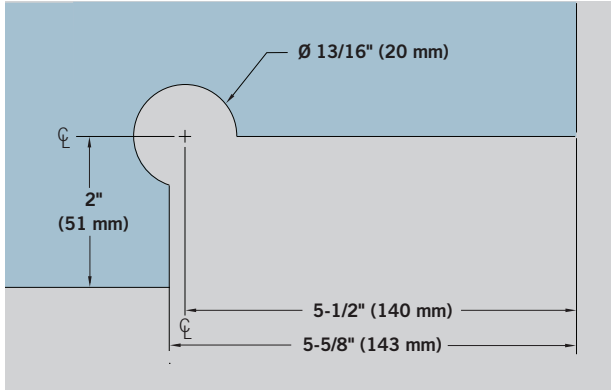


**Key Cylinder with
 blocking ring**

Art. No. 225.997

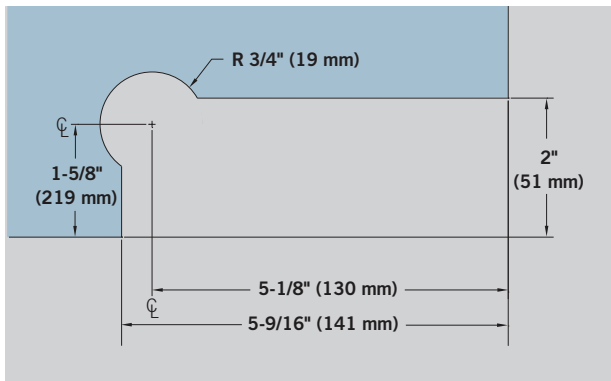
NOTE: Various weights and measures in metric units. Refer to page 51 for Metric/English conversion guide.

Glass Preparation Patch Lock



- 3/8" (10 mm) glass
Art. No. 801.124

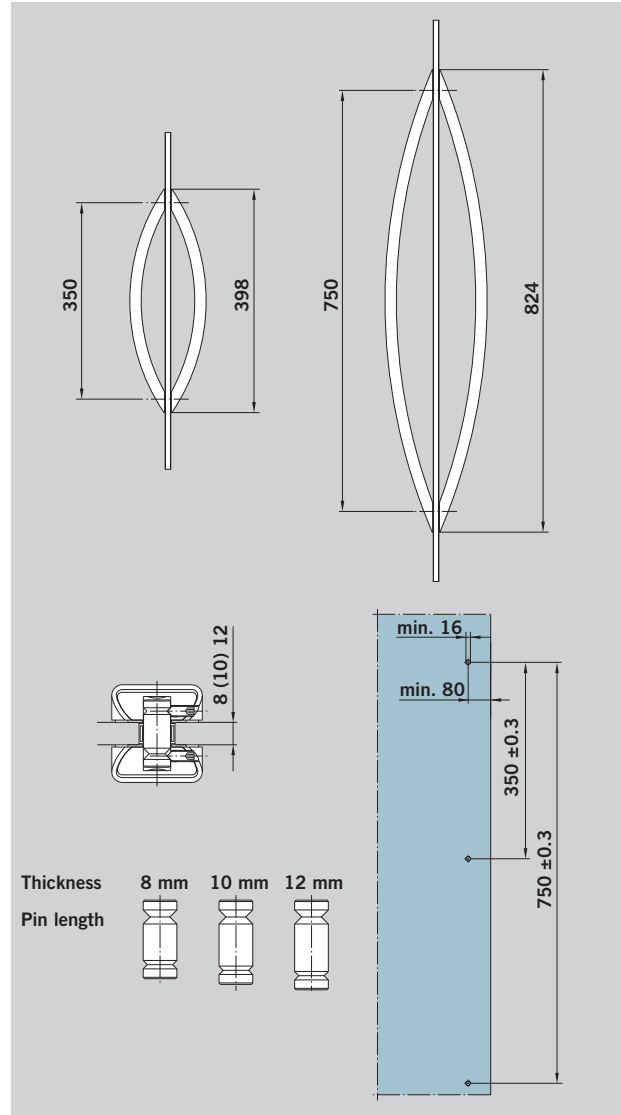
- 1/2" (12 mm) glass:
Art. No. 801.122



- 5/8" (15 mm) glass:
Art. No. 801.126

- 3/4" (19 mm) glass:
Art. No. 801.125

Handle bars



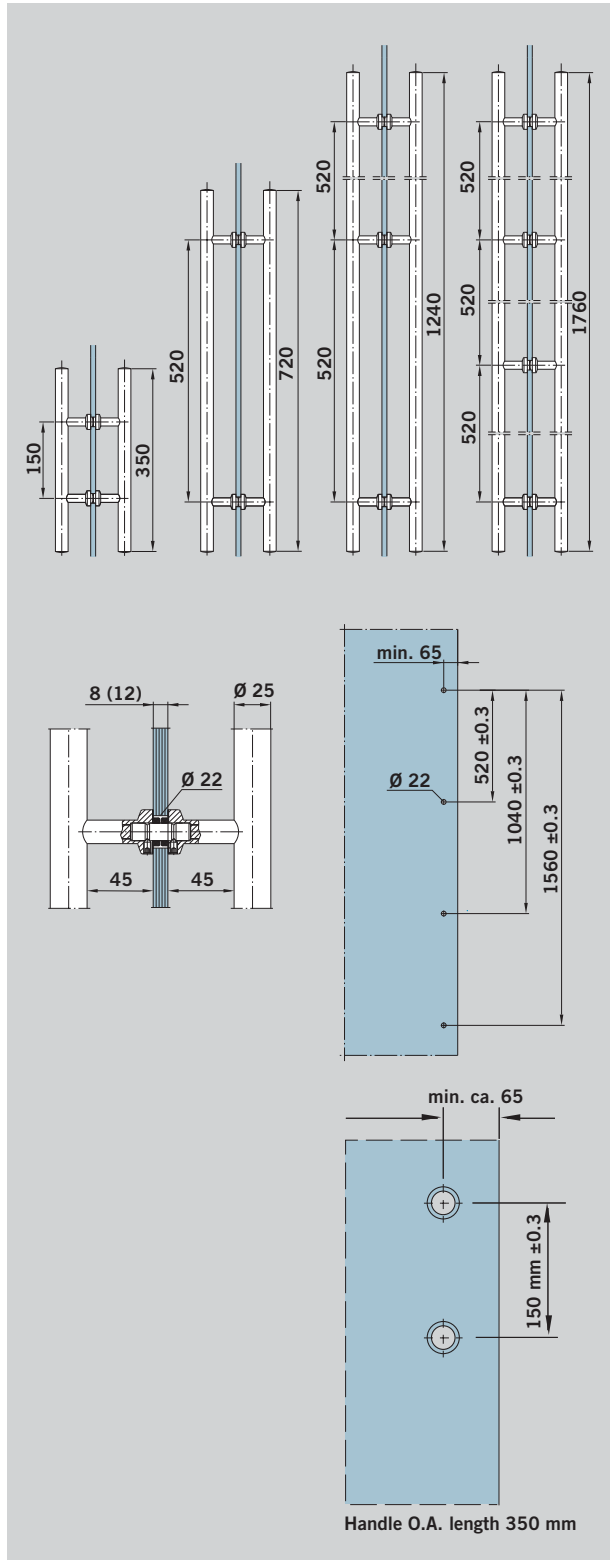
ARCOS handle bar
13-3/4" (350 mm) C to C
2-hole fixing for 3/8" and
1/2" glass thickness
Art. No. 826.500

Weight in lb (kg):
Aluminum 3.652 (1.660)
Stainless steel
3.388 (1.540)

ARCOS handle bar
29-1/2" (750 mm) C to C
2-hole fixing for 3/8" and
1/2" glass thickness
Art. No. 826.510

Weight in lb (kg):
Aluminum 7.172 (3.260)
Stainless steel
6.318 (2.872)

Handle bars



Handles, back to back
length 13-3/4" (350 mm) O.A.
2-hole fixing for 3/8" and
1/2" glass thickness

Art. No. 821.267

Weight in lb (kg):
Stainless Steel 2.64 (1.200)

Handles, back to back
length 28-3/8" (720 mm) O.A.
2-hole fixing for 3/8" and
1/2" glass thickness

Art. No. 821.270

Weight in lb (kg):
Stainless Steel 4.40 (2.000)

Handles, back to back
length
48-13/16" (1240 mm) O.A.
3-hole fixing for 3/8" and
1/2" glass thickness

Art. No. 821.273

Weight in lb (kg):
Stainless Steel 7.48 (3.400)

Handles, back to back
length
69-1/4" (1760 mm) O.A.
4-hole fixing for 3/8" and
1/2" glass thickness

Art. No. 821.276

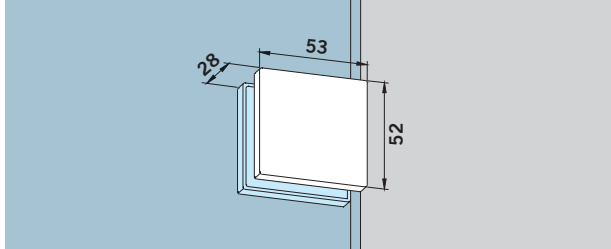
Weight in lb (kg):
Stainless Steel 11.00 (5.000)

NOTE: Various weights and measures in metric units. Refer to page 51 for Metric/English conversion guide.

Clamping fittings

Important information:

For free hanging mounting of glass, please use safety clamping fittings. Torque for fixing screws 11 lb-ft / 15 Nm (M 6=Allan key size 5). 44 lbs (20 kg) load for each clamping fitting.

**PT 90 screw on fitting**

- 3/8" (10 mm) glass:

Art. No. 807.021

- 1/2" (12 mm) glass:

Art. No. 807.021

- 5/8" (15 mm) glass:

Art. No. 807.210

- 3/4" (19 mm) glass:

Art. No. 807.210

Specify glass thickness

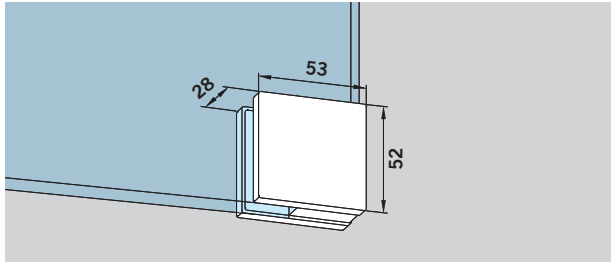
Weight in lb (kg):

Aluminum 0.264 (0.120)

Brass 0.352 (0.160)

Stainless steel

0.341 (0.155)

**PT 91 corner fitting**

- 3/8" (10 mm) glass:

Art. No. 807.023

- 1/2" (12 mm) glass:

Art. No. 807.023

- 5/8" (15 mm) glass:

Art. No. 807.211

Specify glass thickness

- 3/4" (19 mm) glass:

Art. No. 807.211

Specify glass thickness

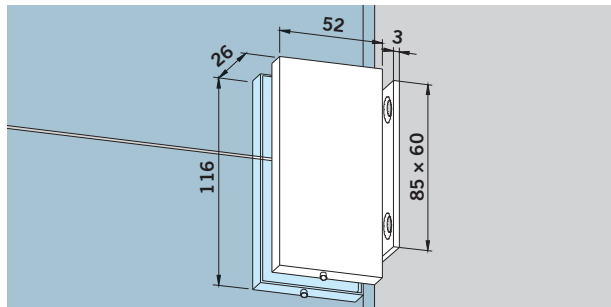
Weight in lb (kg):

Aluminum 0.264 (0.120)

Brass 0.352 (0.160)

Stainless steel

0.341 (0.155)

**Side connector**

with wall mounting plate

- 3/8" (10 mm) glass:

Art. No. 801.153

- 1/2" (12 mm) glass:

Art. No. 801.153

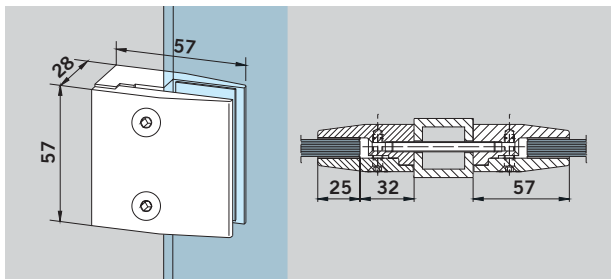
Weight in lb (kg):

Aluminum 0.689 (0.313)

Brass 0.856 (0.389)

Stainless steel

0.827 (0.376)

**Clamping fitting, right angle**

with screw thread M 6

- for 5/16" (8 mm) glass thickness:

Art. No. 807.008

- for 3/8" (10 mm) glass thickness:

Art. No. 807.009

- for 1/2" (12 mm) glass thickness:

Art. No. 807.010

Weight in lb (kg):

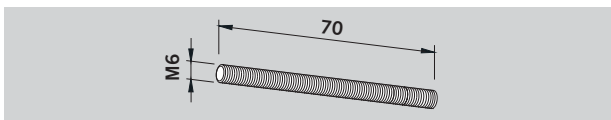
Aluminum 0.407 (0.185)

Weight in lb (kg):

Aluminum 0.396 (0.181)

Weight in lb (kg):

Aluminum 0.396 (0.180)

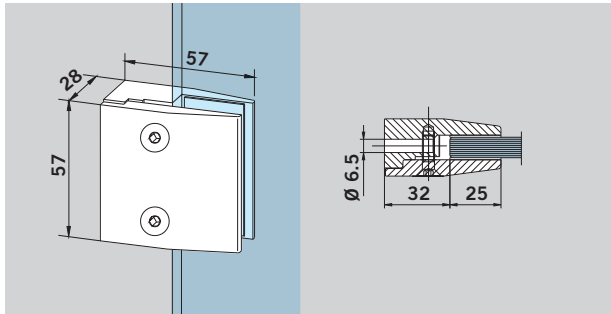
**Threaded bolt**

M 6 x 70 mm, zinc plated

Art. No. 807.020

Weight in lb (kg):

Aluminum 0.026 (0.012)



Clamping fitting, aluminum, with passage hole for M 6 thread

- for 5/16" (8 mm) glass thickness:

Art. No. 807.037

- for 3/8" (10 mm) glass thickness:

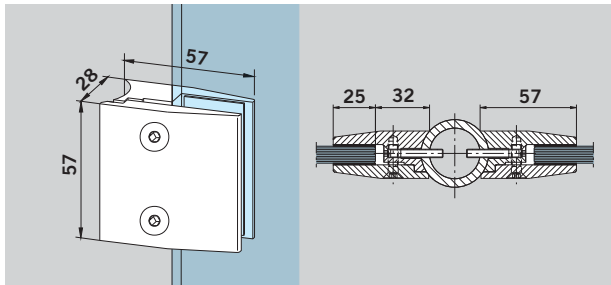
Art. No. 807.038

- for 1/2" (12 mm) glass thickness:

Art. No. 807.039

Weight in lb (kg):

Aluminum 0.396 (0.180)



Clamping fitting for round tube, Ø 1"-3-15/16" (25-100 mm), aluminum, with passage hole for M 6 thread (please indicate tube diameter)

- for 5/16" (8 mm) glass thickness:

Art. No. 807.034

- for 3/8" (10 mm) glass thickness:

Art. No. 807.035

- for 1/2" (12 mm) glass thickness:

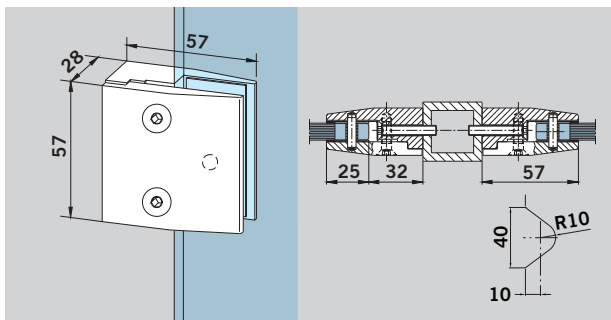
Art. No. 807.036

Weight in lb (kg):

Aluminum 0.374 (0.170)

Safety clamping fittings

A safety pin in the clamping fitting prevents the glass elements from slipping.



Safety clamping fitting, aluminum, on glass cut out with passage hole for M 6 thread

- for 5/16" (8 mm) glass thickness:

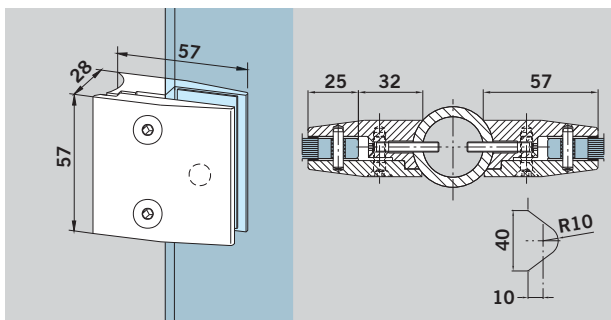
Art. No. 807.079

- for 3/8" (10 mm) glass thickness:

Art. No. 807.080

Weight in lb (kg):

Aluminum 0.429 (0.195)



Safety clamping fitting, aluminum, for round tube Ø 1"-3-15/16" (25-100 mm), with passage hole for M 6 thread (please indicate tube diameter)

- for 5/16" (8 mm) glass thickness:

Art. No. 807.076

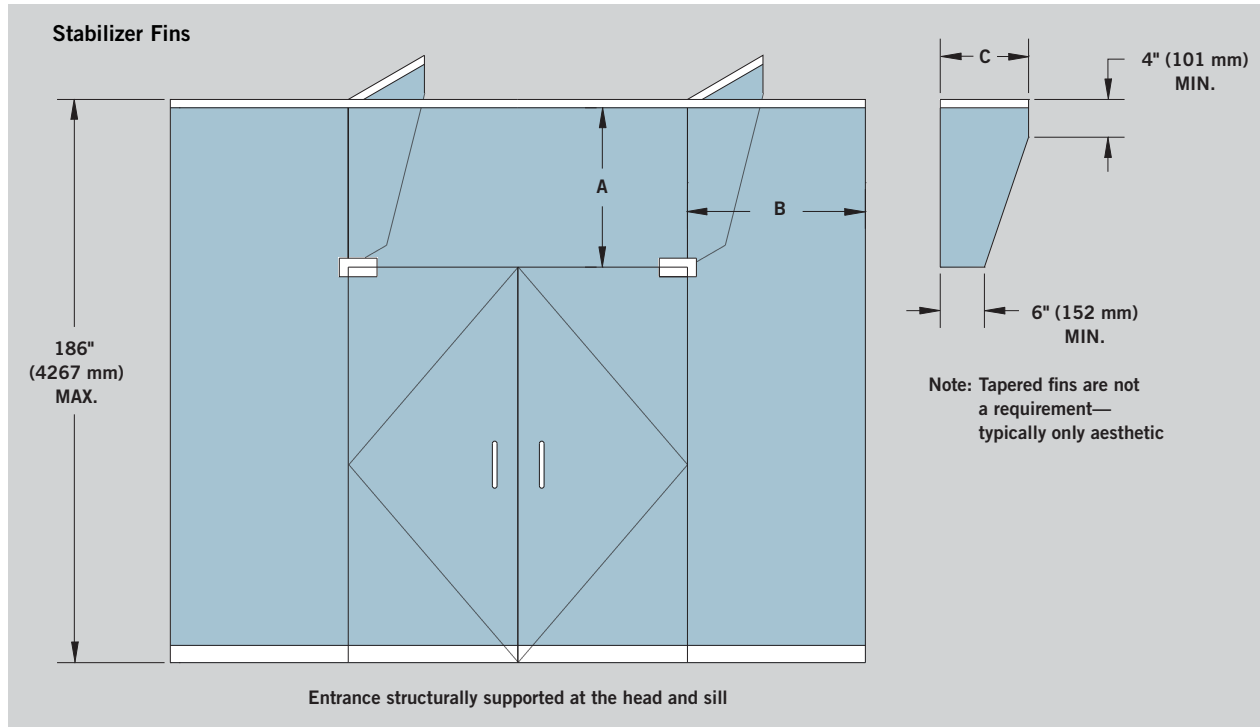
- for 3/8" (10 mm) glass thickness:

Art. No. 807.077

Weight in lb (kg):

Aluminum 0.411 (0.187)

Usage and assembly of fins



Risk of excessive deflection increases as the distance from the door's upper pivot to structure increases. To reduce deflection, glass fins mounted perpendicular to the glass wall should be employed.

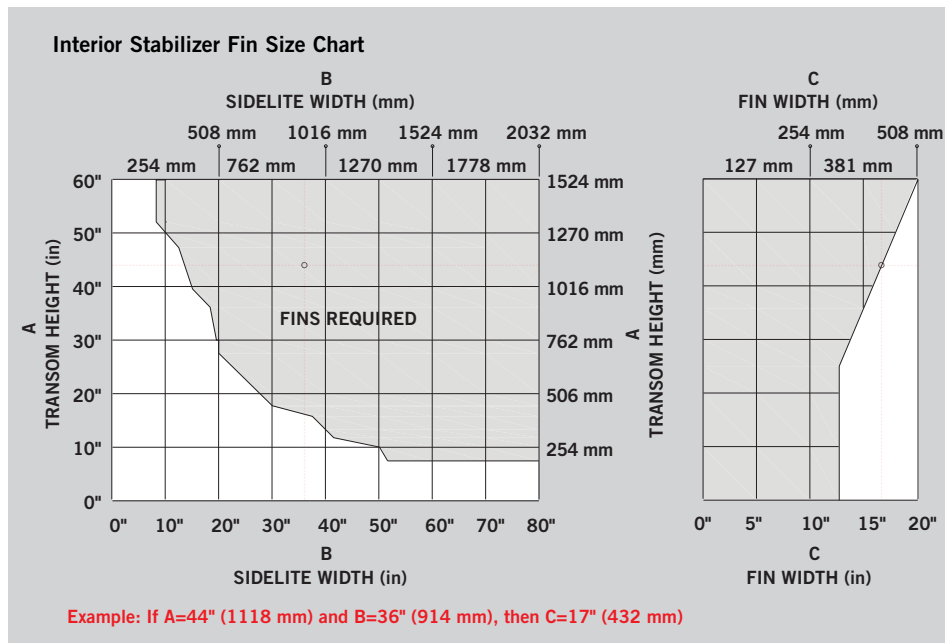
Refer to the graph below for fin usage recommendations.

Note: When fins are used, they must be mechanically fastened to adequate support. If transom weight

exceeds 100 lbs (45 kg), it should also be mechanically fastened to structure above to provide additional support.

This graph constitutes general recommendations only.

Individual situations and site conditions may require additional support to adequately reduce deflection. Exterior applications up to 13' (4 m) should have job-specific calculations processed. Exterior applications over 13' (4 m) require a set of full engineering specifications.



To use the graph, determine the height of the transom (dimension A) as well as the width of the sidelite (dimension B as shown in the elevation—or a total width to nearest support point in the case of multiple sidelites). Locate the intersecting point of these two grids on the graph. If this intersecting point falls within the shaded area of the graph, fins are required. Next, determine fin top width (dimension C) on the fin width scale by matching transom height (dimension A).

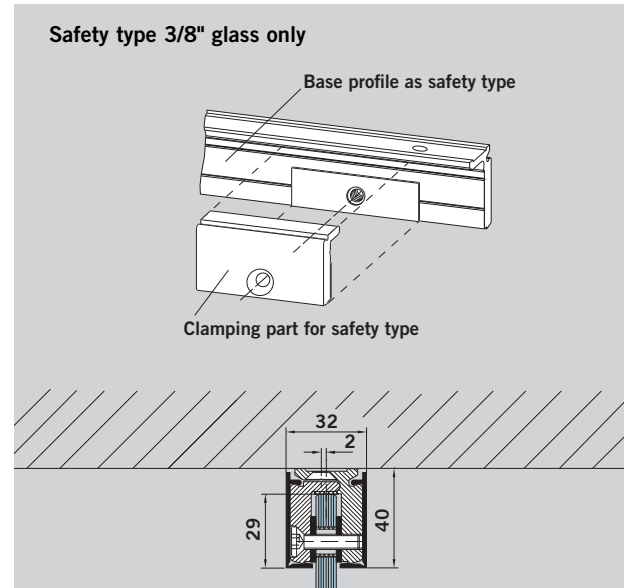
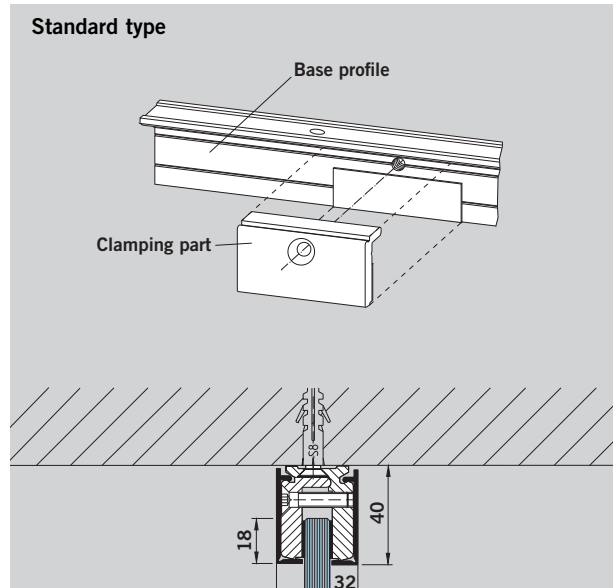
Mechanical channel

Consists of base section with bore holes every 11-13/16" (300 mm), including clamping parts with screws and gasket strips.

Application:

All around frame system for tempered glass assemblies, with fittings on sides and ceiling.

The **safety type** prevents free hanging glass elements from falling down, by fixing the clamping fitting through glass holes. 33 lb (15 kg) load for each clamping part, torque for fixing screws 7.5 lb-ft / 10 Nm (M 6 = Allan key size 4).



Base profile standard type

157" (4000 mm) stock length

Weight in lb/ft (kg/m):

Aluminum .805 (1.200)

for 3/8" (10 mm) glass thickness:

Art. No. 807.001

for 1/2" (12 mm) glass thickness:

Art. No. 807.045

for 5/8" (15 mm) glass thickness:

Art. No. 807.047

for 3/4" (19 mm) glass thickness:

Art. No. 807.049

Clamping part standard type

2-3/8" (60 mm) long with screw and gasket

Weight in lb/ft (kg/m):

Aluminum 0.037 (0.055)

for 3/8" (10 mm) glass thickness:

Art. No. 807.004

for 1/2" (12 mm) glass thickness:

Art. No. 807.085

for 5/8" (15 mm) glass thickness:

Art. No. 807.087

for 3/4" (19 mm) glass thickness:

Art. No. 807.089

Base profile safety type

for 3/8" (10 mm) glass thickness:

Art. No. 807.061

Clamping part safety type

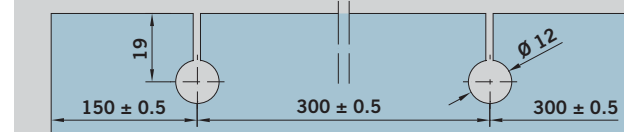
for 5/16" (8 mm) glass thickness:

Art. No. 807.063

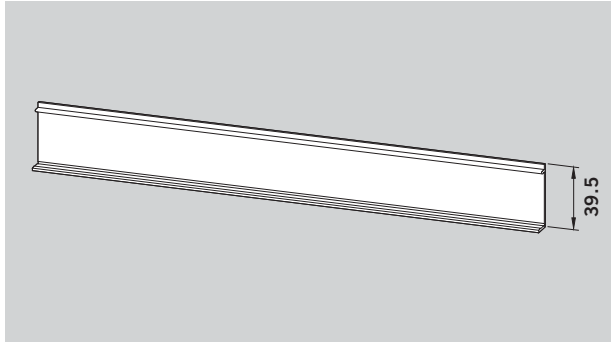
for 3/8" (10 mm) glass thickness:

Art. No. 807.064

Glass preparation for safety type



NOTE: Various weights and measures in metric units. Refer to page 51 for Metric/English conversion guide.

**Clip on cover profile**

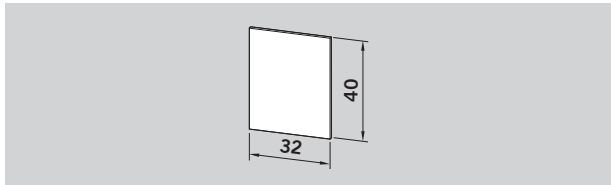
157" (4000 mm) stock length,
 brass, stainless steel, satin
 and stainless steel polished
 available

Art. No. 807.003

Weight in lb/ft (kg/m):

Aluminum 0.137 (0.203)

Brass 0.252 (0.373)

Stainless Steel
0.252 (0.373)

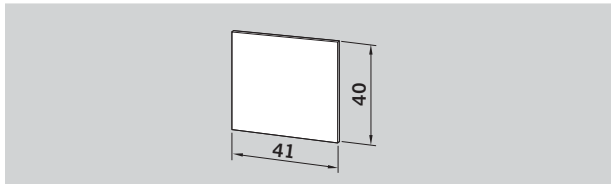
End cap for 3/8" (10 mm)
 and 1/2" (12 mm) glass
 thickness

Art. No. 807.007

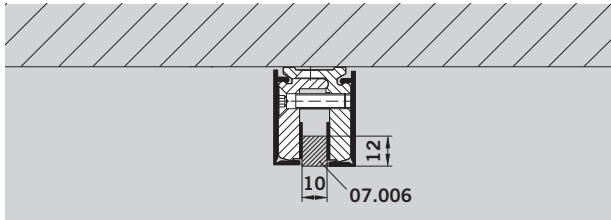
Weight in lb (kg):

Aluminum 0.484 (0.220)

Brass 1.383 (0.629)

Stainless Steel
1.348 (0.613)

End cap for 5/8" (15 mm)
 and 3/4" (19 mm) glass
 thickness

Art. No. 807.065**Filler block**

3/8" (10 mm) x 1/2" (12 mm)
 157" (4000 mm) stock length,

Art. No. 807.006

Weight in lb (kg):

Aluminum 0.693 (0.315)

kg(lb) Conversion

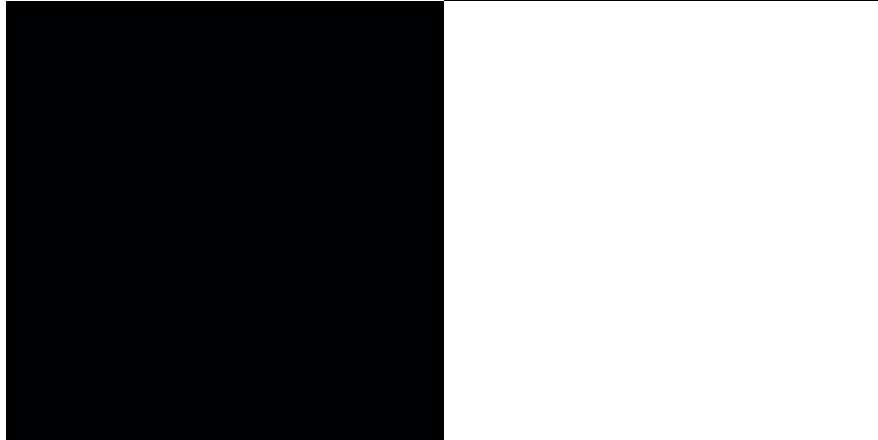
To convert to pounds, multiply kilograms by 2.2.

inch/mm Conversion

To convert to millimeters, multiply inches by 25.4.

To convert to inches, divide millimeters by 25.4 or multiply millimeters by 0.03937.

| INCHES | | | INCHES | | | INCHES | | |
|------------|---------|--------------|------------|---------|--------------|------------|---------|--------------|
| Fractional | Decimal | METRIC mm | Fractional | Decimal | METRIC mm | Fractional | Decimal | METRIC mm |
| 1/32 | 0.0313 | 0.7938 | | 0.9055 | 23 | 2-1/2 | 2.5 | 63.5 |
| | 0.0394 | 1 | 29/32 | 0.90625 | 23.0188 | | 2.5197 | 64 |
| 1/16 | 0.0625 | 1.5875 | 15/16 | 0.9375 | 23.8125 | | 2.5591 | 65 |
| | 0.0787 | 2 | | 0.9449 | 24 | | 2.5984 | 66 |
| 3/32 | 0.0938 | 2.3813 | 31/32 | 0.96875 | 24.6063 | | 2.6378 | 67 |
| | 0.1181 | 3 | | 0.9843 | 25 | | 2.6772 | 68 |
| 1/8 | 0.125 | 3.175 | 1 | 1 | 25.4 | | 2.7165 | 69 |
| 5/32 | 0.1563 | 3.9688 | | 1.0236 | 26 | 2-3/4 | 2.75 | 69.85 |
| | 0.1575 | 4 | | 1.063 | 27 | | 2.7559 | 70 |
| 3/16 | 0.1875 | 4.7625 | | 1.1024 | 28 | | 2.7953 | 71 |
| | 0.1969 | 5 | | 1.1417 | 29 | | 2.8346 | 72 |
| 7/32 | 0.2188 | 5.5563 | | 1.1811 | 30 | | 2.874 | 73 |
| | 0.2362 | 6 | | 1.2205 | 31 | | 2.9134 | 74 |
| 1/4 | 0.25 | 6.35 | 1-1/4 | 1.25 | 31.75 | | 2.9528 | 75 |
| | 0.2756 | 7 | | 1.2598 | 32 | | 2.9921 | 76 |
| 9/32 | 0.2813 | 7.1438 | | 1.2992 | 33 | 3 | 3 | 76.2 |
| 5/16 | 0.3125 | 7.9375 | | .3386 | 34 | | 3.0315 | 77 |
| | 0.315 | 8 | | 1.378 | 35 | | 3.0709 | 78 |
| 11/32 | 0.3438 | 8.7313 | | 1.4173 | 36 | | 3.1102 | 79 |
| | 0.3543 | 9 | | 1.4567 | 37 | | 3.1496 | 80 |
| 3/8 | 0.375 | 9.525 | | 1.4961 | 38 | | 3.189 | 81 |
| | 0.393 | 10 | 1-1/2 | 1.5 | 38.1 | | 3.2283 | 82 |
| 13/32 | 0.4063 | 10.3188 | | 1.5354 | 39 | | 3.2677 | 83 |
| | 0.4331 | 11 | | 1.5748 | 40 | | 3.3071 | 84 |
| 7/16 | 0.4375 | 11.1125 | | 1.6142 | 41 | | 3.3465 | 85 |
| 15/32 | 0.4688 | 11.9063 | | 1.6535 | 42 | | 3.3858 | 86 |
| | 0.4724 | 12 | | 1.6929 | 43 | | 3.4252 | 87 |
| 1/2 | 0.5 | 12.7 | | 1.7323 | 44 | | 3.4646 | 88 |
| | 0.5118 | 13 | 1-3/4 | 1.75 | 45.45 | 3-1/2 | 3.5 | 88.9 |
| 17/32 | 0.5313 | 13.4938 | | 1.7717 | 45 | | 3.5039 | 89 |
| | 0.5512 | 14 | | 1.811 | 46 | | 3.5433 | 90 |
| 9/16 | 0.5625 | 14.2875 | | 1.8504 | 47 | | 3.5827 | 91 |
| | 0.5906 | 15 | | 1.8898 | 48 | | 3.622 | 92 |
| 19/32 | 0.5938 | 15.0813 | | 1.9291 | 49 | | 3.6614 | 93 |
| 5/8 | 0.625 | 15.875 | | 1.9685 | 50 | | 3.7008 | 94 |
| | 0.6299 | 16 | 2 | 2 | 50.8 | | 3.7402 | 95 |
| 21/32 | 0.6563 | 16.6688 | | 2.0079 | 51 | | 3.7795 | 96 |
| | 0.6693 | 17 | | 2.0472 | 52 | | 3.8189 | 97 |
| 11/16 | 0.6875 | 17.4625 | | 2.0866 | 53 | | 3.8583 | 98 |
| | 0.7087 | 18 | | 2.126 | 54 | | 3.8976 | 99 |
| 23/32 | 0.7188 | 18.2563 | | 2.1654 | 55 | | 3.937 | 100 |
| | 0.748 | 19 | | 2.2047 | 56 | 4 | 4 | 101.6 |
| 3/4 | 0.75 | 19.05 | | 2.2441 | 57 | | 4.3307 | 110 |
| 25/32 | 0.7813 | 19.8438 | 2-1/4 | 2.25 | 57.15 | 4-1/2 | 4.5 | 114.3 |
| | 0.7874 | 20 | | 2.2835 | 58 | | 4.7244 | 120 |
| 13/16 | 0.8125 | 20.6375 | | 2.3228 | 59 | 5 | 5 | 127 |
| | 0.8268 | 21 | | 2.3622 | 60 | | 5.1181 | 130 |
| 27/32 | 0.8438 | 21.4313 | | 2.4016 | 61 | | 5.5118 | 140 |
| | 0.8661 | 22 | | 2.4409 | 62 | | 5.9055 | 150 |
| 7/8 | 0.875 | 22.225 | | 2.4803 | 63 | 6 | 6 | 152.4 |



DORMA Glas, Inc.
1520 Jabez Run
Suite 303
Millersville, MD 21108
Tel: 410.923.0890
Toll Free: 800.451.0649
Fax: 410.923.3060
E-mail: glas@dorma-usa.com
www.dorma-usa.com